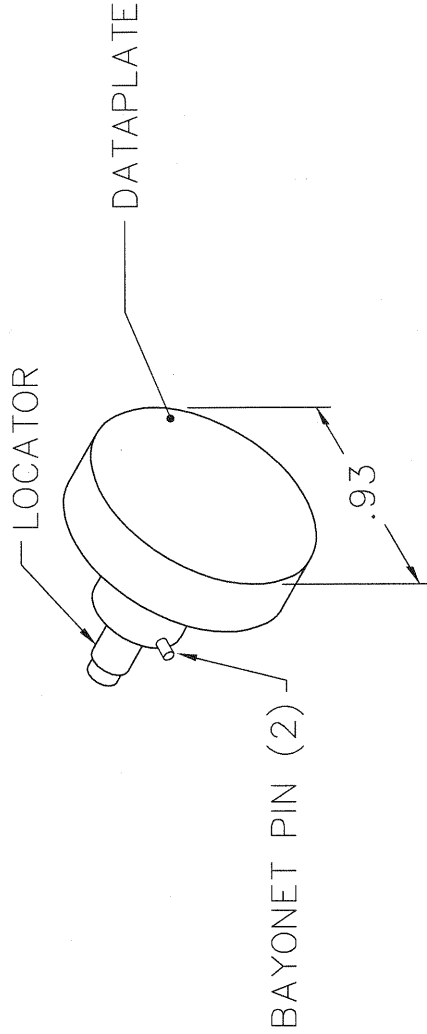
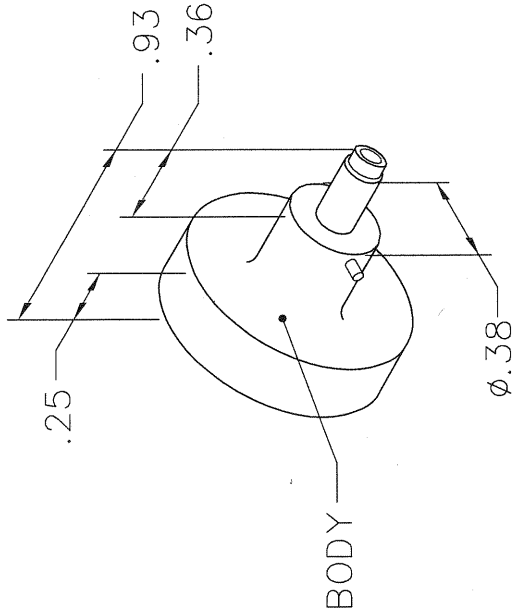


REVISIONS

REV. SYM.	E.C.O. NUMBER	DESCRIPTION	BY DATE	APP'D DATE
1		ORIGINAL RELEASE	TD 7-19-10	

**UNCONTROLLED DOCUMENT
WILL NOT BE UPDATED**

DIMENSIONS IN INCHES - UNLESS OTHERWISE SPECIFIED



FOR USE ON
CONTACTS FOR
PIC P/N:
190729, 190829
PIC P/N 110257
DMC P/N K1448

NOTE: FOR USE WITH DANIELS CRIMP TOOLS
ACCOMMODATING "K" SERIES POSITIONERS

LOCATOR	
HOLE DIMENSIONS	ADDITIONAL FEATURES
ø.045	└─┘ ø.061
↓ THRU	↓ .179


RESTRICTED & CONFIDENTIAL

CONFIDENTIAL PROPERTY OF DANIELS MANUFACTURING CORP. NOT TO BE DISCLOSED TO OTHERS, REPRODUCED OR USED FOR ANY OTHER PURPOSE, EXCEPT AS AUTHORIZED IN WRITING BY DANIELS MANUFACTURING. MUST BE RETURNED TO DANIELS MANUFACTURING CORP. ON COMPLETION OF ORDER OR OTHER PURPOSE FOR WHICH LENT.

DO NOT SCALE DRAWING

DRN. <i>Jony Dilworth</i> CHK'D.	DATE 7-19-10 DATE	DATE	DATE
APP'D.	DATE	DATE	DATE
APP'D.	DATE	DATE	DATE

NOTE:
THIS DRAWING IS AN OUTLINE DRAWING OF THE RESPECTIVE DMC PART NUMBER INDICATED. ACTUAL DMC PART NUMBER IS DRAWING NUMBER WITHOUT THE "-ENV" SUFFIX.

 DANIELS MANUFACTURING CORP. ORLANDO, FLORIDA CAGE 11851	
TITLE	
ENVELOPE DRAWING POSITIONER	
WHERE USED: AFMB	
SIZE A	SCALE NTS
CAD P/N K1448-ENV	SHEET 1 OF 1
POSTING	DWG. NO. K1448-ENV
REV. 1	REV. 1