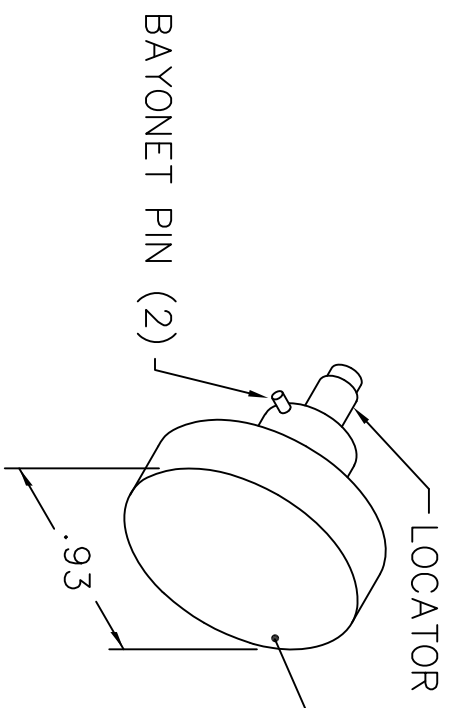
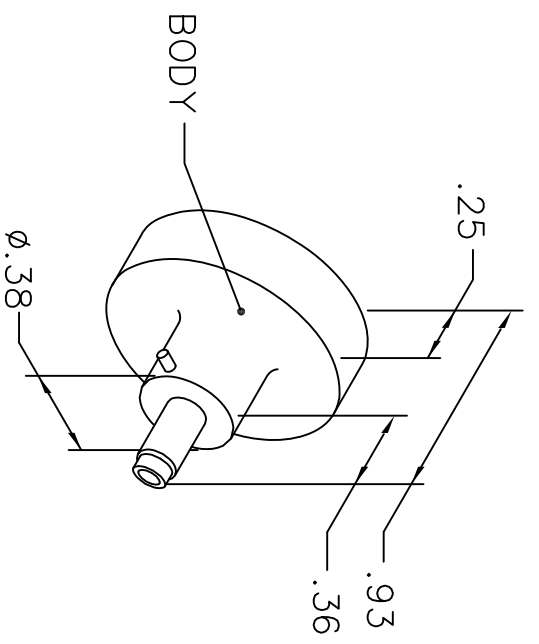


REVISIONS				
REV. SYM.	E.C.O. NUMBER	DESCRIPTION	BY DATE	APP'D DATE
1		ORIGINAL RELEASE	JWJ 7-11-07	RRR 7-11-07

**UNCONTROLLED DOCUMENT  
WILL NOT BE UPDATED**



FOR USE ON  
CONTACTS FOR  
PIC P/N: 190703,  
190803, 191203  
PIC P/N 110256  
DMC P/N K1447

NOTE: FOR USE WITH DANIELS CRIMP TOOLS  
ACCOMMODATING "K" SERIES POSITIONERS

LOCATOR	
HOLE DIMENSIONS	ADDITIONAL FEATURES
∅.045 ∓.58 MIN.	└┘ ∅.061 ∓.179

**RESTRICTED & CONFIDENTIAL**

CONFIDENTIAL PROPERTY OF DANIELS MANUFACTURING CORP. NOT TO BE DISCLOSED TO OTHERS, REPRODUCED OR USED FOR ANY OTHER PURPOSE, EXCEPT AS AUTHORIZED IN WRITING BY DANIELS MANUFACTURING. MUST BE RETURNED TO DANIELS MANUFACTURING CORP. ON COMPLETION OF ORDER OR OTHER PURPOSE FOR WHICH LENT.

DO NOT SCALE DRAWING

DRN.	J. JOYCE	DATE	7-11-07
CHK'D.	RRR	DATE	7-11-07
APP'D.		DATE	
APP'D.		DATE	

NOTE:  
THIS DRAWING IS AN OUTLINE DRAWING OF THE RESPECTIVE DMC PART NUMBER INDICATED. ACTUAL DMC PART NUMBER IS DRAWING NUMBER WITHOUT THE "-ENV" SUFFIX.

WHERE USED: AFM8			
SIZE	SCALE	CAD P/N	SHEET OF
A	NTS	K1447-ENV	1 1
POSTING	DMG. NO.	K1447-ENV	REV. 1

**DMC** DANIELS MANUFACTURING CORP.  
ORLANDO, FLORIDA  
CAGE 11851

TITLE  
POSITIONER  
ENVELOPE DRAWING