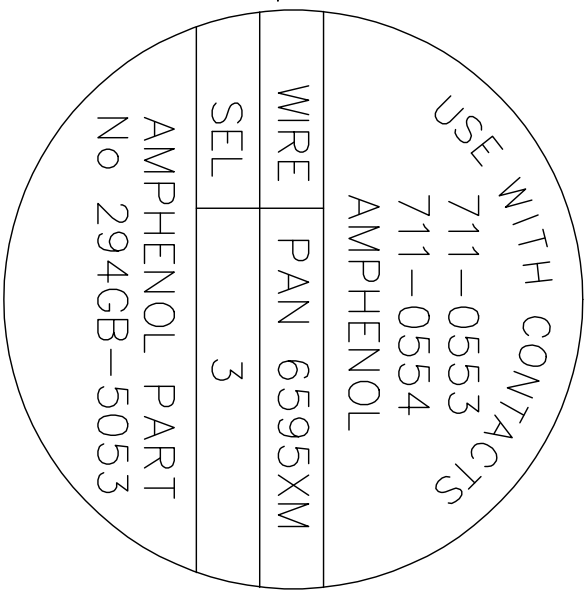
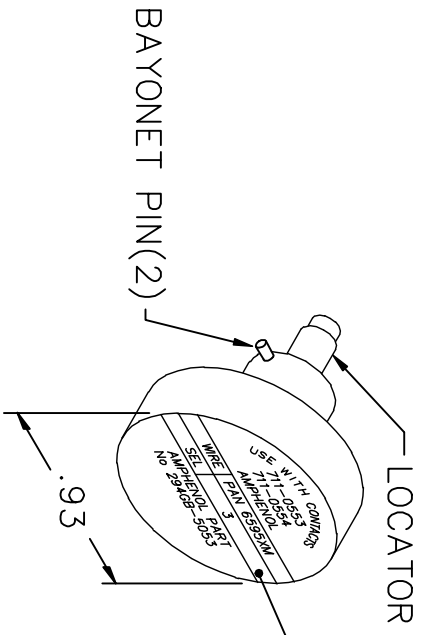
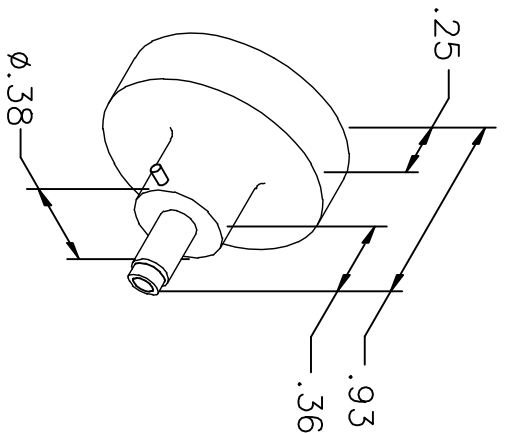


REVISIONS				
REV. SYM.	E.C.O. NUMBER	DESCRIPTION	BY DATE	APP'D DATE
2		.346 WAS .296 .279 WAS .229	AAM 7-23-01	RRR 7-23-01



NOTE: FOR USE WITH DANIELS CRIMP TOOL, AFM8.

LOCATOR	
HOLE DIMENSIONS	ADDITIONAL FEATURES
$\phi .026$ $\nabla .346$	$\sqsupset \phi .043$ $\nabla .279$ $\sqsupset \phi .051$ $\nabla .047$

RESTRICTED & CONFIDENTIAL

CONFIDENTIAL PROPERTY OF DANIELS MANUFACTURING CORP. NOT TO BE DISCLOSED TO OTHERS, REPRODUCED OR USED FOR ANY OTHER PURPOSE, EXCEPT AS AUTHORIZED IN WRITING BY DANIELS MANUFACTURING. MUST BE RETURNED TO DANIELS MANUFACTURING CORP. ON COMPLETION OF ORDER OR OTHER PURPOSE FOR WHICH LENT.

DRN. A. MOO-YOUNG	DATE 1-26-01
CHK'D. RRR	DATE 1-26-01
APP'D.	DATE
APP'D.	DATE

NOTE: THIS DRAWING IS AN OUTLINE DRAWING OF THE RESPECTIVE DMC PART NUMBER INDICATED. ACTUAL DMC PART NUMBER IS DRAWING NUMBER WITHOUT THE "-ENV" SUFFIX.

TITLE		WHERE USED: AFM8	
ENVELOPE DRAWING POSITIONER		CAD P/N	SHEET OF
		K1428-ENV	1 1
		DWG. NO.	REV.
		K1428-ENV	2

DO NOT SCALE DRAWING



DANIELS MANUFACTURING CORP.
ORLANDO, FLORIDA
CASE 11851