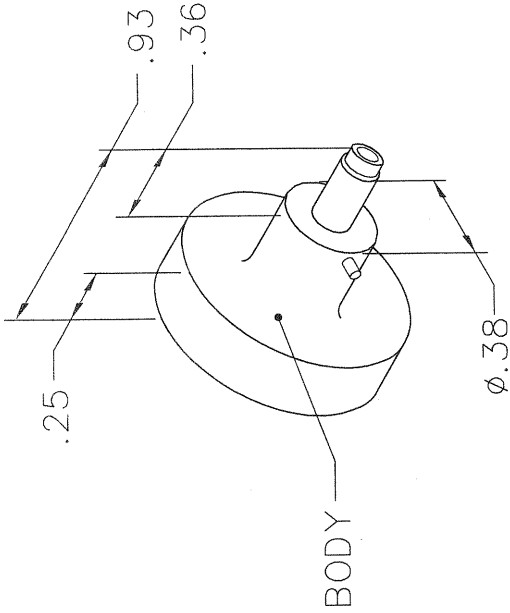


REVISIONS

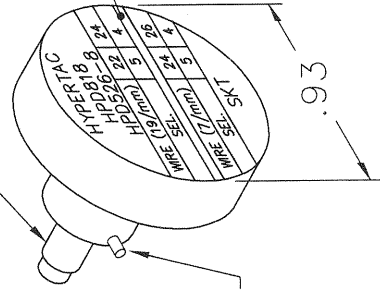
REV. SYM.	E.C.O. NUMBER	DESCRIPTION	BY DATE	APP'D DATE
1		ORIGINAL RELEASE	AAM 12-6-00	RRR 12-6-00

**UNCONTROLLED DOCUMENT
WILL NOT BE UPDATED**

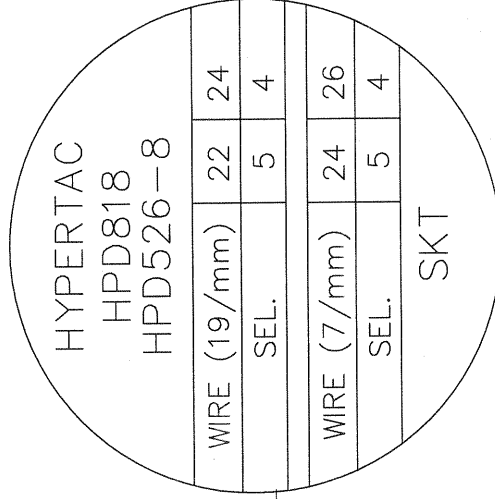
DIMENSIONS IN INCHES - UNLESS OTHERWISE SPECIFIED



LOCATOR



BAYONET PIN(2)



NOTE: FOR USE WITH DANIELS CRIMP TOOLS ACCOMMODATING "K" SERIES POSITIONERS

RESTRICTED & CONFIDENTIAL
 CONFIDENTIAL PROPERTY OF DANIELS MANUFACTURING CORP. NOT TO BE DISCLOSED TO OTHERS, REPRODUCED OR USED FOR ANY OTHER PURPOSE, EXCEPT AS AUTHORIZED IN WRITING BY DANIELS MANUFACTURING. MUST BE RETURNED TO DANIELS MANUFACTURING CORP. ON COMPLETION OF ORDER OR OTHER PURPOSE FOR WHICH LENT.

DO NOT SCALE DRAWING

LOCATOR	ADDITIONAL FEATURES
HOLE DIMENSIONS	□ □ □ □
∅.074	∅.099
∇.358	∇.28

DRN.	AAM	DATE
CHK'D.	RRR	11-20-00
APP'D.		11-20-00
APP'D.		

NOTE:
 THIS DRAWING IS AN OUTLINE DRAWING OF THE RESPECTIVE DMC PART NUMBER INDICATED. ACTUAL DMC PART NUMBER IS DRAWING NUMBER WITHOUT THE "-ENV" SUFFIX.



DANIELS MANUFACTURING CORP.
 ORLANDO, FLORIDA
 CAGE 11851

TITLE

ENVELOPE DRAWING
 POSITIONER

WHERE USED:	AFMB
SIZE	CAD P/N
A	K1427-ENV
POSTING	DWG. NO.
	K1427-ENV

SCALE	SHEET	OF
1	1	1

REV. 1