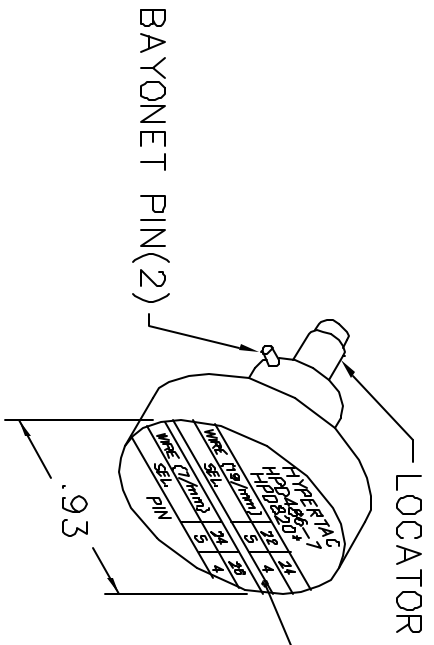
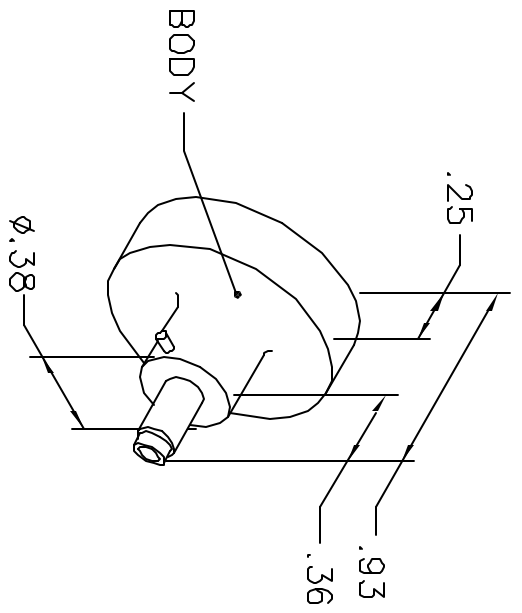


REVISIONS				
REV. SYM.	E.C.O. NUMBER	DESCRIPTION	BY DATE	APP'D DATE
1		ORIGINAL RELEASE	AAM 12-6-00	RRR 12-6-00

**UNCONTROLLED DOCUMENT
WILL NOT BE UPDATED**



HYPERTAC HPD486-7 HPD820*			
WIRE (19/mm)	22	24	
SEL.	5	4	
WIRE (7/mm)	24	26	
SEL.	5	4	
PIN			

NOTE: FOR USE WITH DANIELS CRIMP TOOLS
ACCOMMODATING "K" SERIES POSITIONERS

LOCATOR	ADDITIONAL FEATURES
HOLE DIMENSIONS	└┘ Ø.099
	┆.58 MIN. ┆.361

RESTRICTED & CONFIDENTIAL

CONFIDENTIAL PROPERTY OF DANIELS MANUFACTURING CORP. NOT TO BE DISCLOSED TO OTHERS. REPRODUCED OR USED FOR ANY OTHER PURPOSE, EXCEPT AS AUTHORIZED IN WRITING BY DANIELS MANUFACTURING. MUST BE RETURNED TO DANIELS MANUFACTURING CORP. ON COMPLETION OF ORDER OR OTHER PURPOSE FOR WHICH LENT.

DO NOT SCALE DRAWING

DRN.	AAM	DATE
CHK'D.	RRR	DATE
APP'D.		DATE
APP'D.		DATE

DANIELS MANUFACTURING CORP.
ORLANDO, FLORIDA
CAGE 11851

TITLE: ENVELOPE DRAWING POSITIONER

WHERE USED: AFMB	GAD P/N	SHEET	OF
SIZE A	K1426-ENV	1	1
SCALE NTS			
POSTING	P/N	REV.	
	K1426-ENV	1	