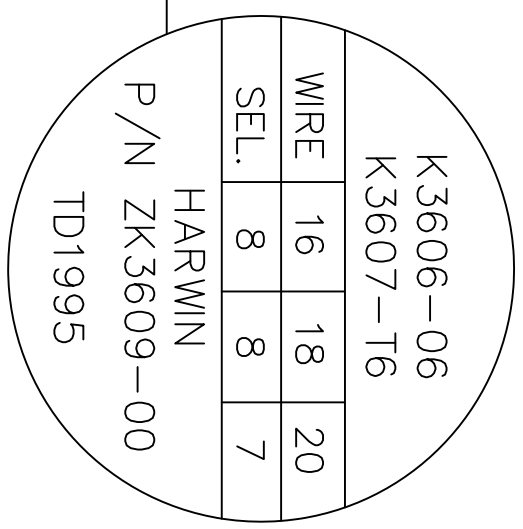
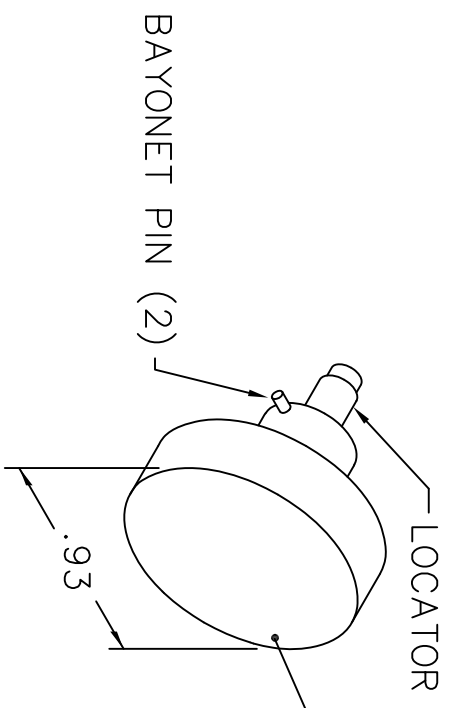
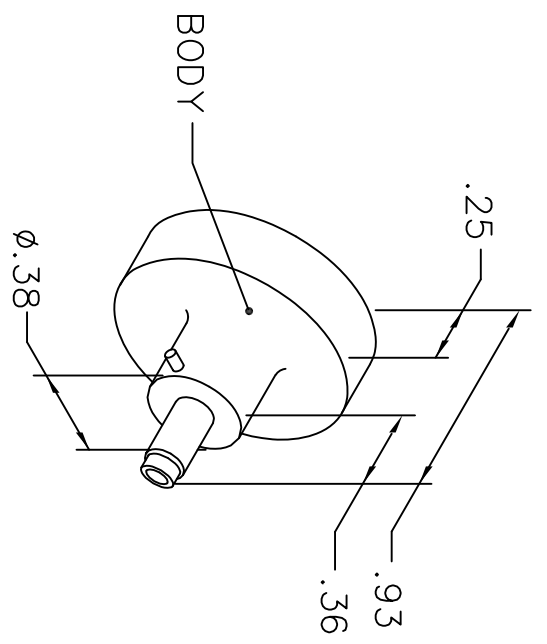


REVISIONS

REV. SYM.	E.C.O. NUMBER	DESCRIPTION	BY DATE	APP'D DATE
1		ORIGINAL RELEASE	JWJ 1/23/07	RRR 1/23/07

**UNCONTROLLED DOCUMENT
WILL NOT BE UPDATED**



NOTE: FOR USE WITH DANIELS CRIMP TOOLS
ACCOMMODATING "K" SERIES POSITIONERS

LOCATOR	ADDITIONAL FEATURES
HOLE DIMENSIONS	<input type="checkbox"/> ϕ .086
	<input type="checkbox"/> ∇ .395
	<input type="checkbox"/> ϕ .098
	<input type="checkbox"/> ∇ .085

RESTRICTED & CONFIDENTIAL

CONFIDENTIAL PROPERTY OF DANIELS MANUFACTURING CORP. NOT TO BE DISCLOSED TO OTHERS, REPRODUCED OR USED FOR ANY OTHER PURPOSE, EXCEPT AS AUTHORIZED IN WRITING BY DANIELS MANUFACTURING. MUST BE RETURNED TO DANIELS MANUFACTURING CORP. ON COMPLETION OF ORDER OR OTHER PURPOSE FOR WHICH LENT.

DO NOT SCALE DRAWING

DRN. J. JOYCE	DATE 1/23/07	TITLE		WHERE USED: AFM8	CAD P/N	SHEET 1 OF 1	REV. 1
CHK'D. RRR	DATE 1/23/07	ENVELOPE DRAWING POSITIONER		DANIELS MANUFACTURING CORP. ORLANDO, FLORIDA CAGE 11851	K1420-ENV	1	1
APP'D.	DATE						
APP'D.	DATE	NOTE: THIS DRAWING IS AN OUTLINE DRAWING OF THE RESPECTIVE DMC PART NUMBER INDICATED. ACTUAL DMC PART NUMBER IS DRAWING NUMBER WITHOUT THE "-ENV" SUFFIX.					