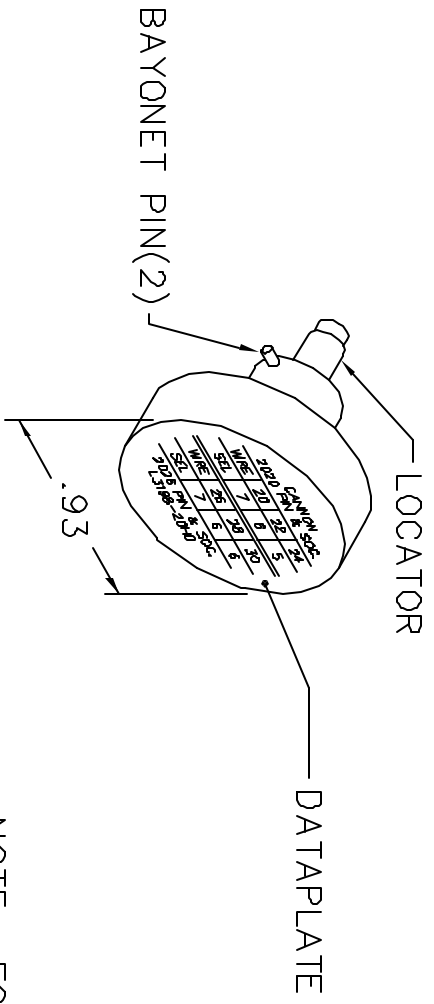
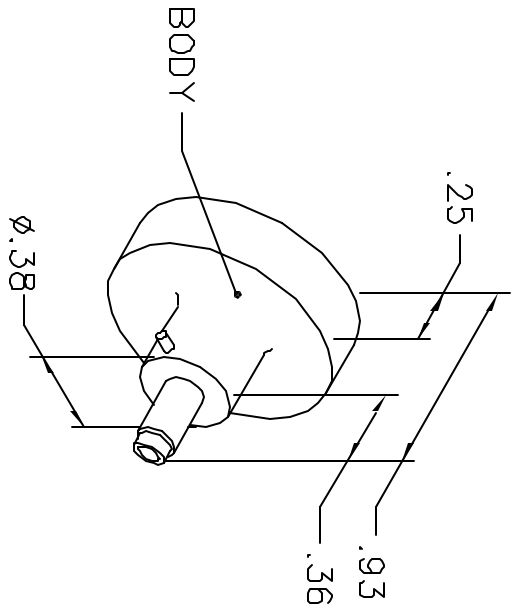


REVISIONS				
REV. SYM.	E.C.O. NUMBER	DESCRIPTION	BY DATE	APP'D DATE
1		ORIGINAL RELEASE	AAM 10-8-01	RRR 10-8-01

**UNCONTROLLED DOCUMENT
WILL NOT BE UPDATED**



CANNON 2020 PIN & SOC.			
WIRE	20	22	24
SEL	7	6	5
WIRE	26	28	30
SEL	7	6	6
2026 PIN & SOC. L3198-20HD			

NOTE: FOR USE WITH DANIELS CRIMP TOOLS
ACCOMMODATING "K" SERIES POSITIONERS

LOCATOR	ADDITIONAL FEATURES
HOLE DIMENSIONS	$\perp .442$
	$\perp .430$
	$\perp \phi .089$

RESTRICTED & CONFIDENTIAL

CONFIDENTIAL PROPERTY OF DANIELS MANUFACTURING CORP. NOT TO BE DISCLOSED TO OTHERS, REPRODUCED OR USED FOR ANY OTHER PURPOSE, EXCEPT AS AUTHORIZED IN WRITING BY DANIELS MANUFACTURING. MUST BE RETURNED TO DANIELS MANUFACTURING CORP. ON COMPLETION OF ORDER OR OTHER PURPOSE FOR WHICH LENT.

DO NOT SCALE DRAWING

DRN. A. MOO-YOUNG	DATE 10-8-01	DMO DANIELS MANUFACTURING CORP. ORLANDO, FLORIDA CAGE 11851	ENVELOPE DRAWING POSITIONER
CHKD. RRR	DATE 10-8-01		
APP'D. DATE	DATE		
APP'D. DATE	DATE	WHERE USED: AFMB	TITLE
		SIZE SCALE	CAD P/N
		A NTS	K13-ENV
		POSTING	P/N
			K13-ENV
			SHEET 1 OF 1
			REV. 1