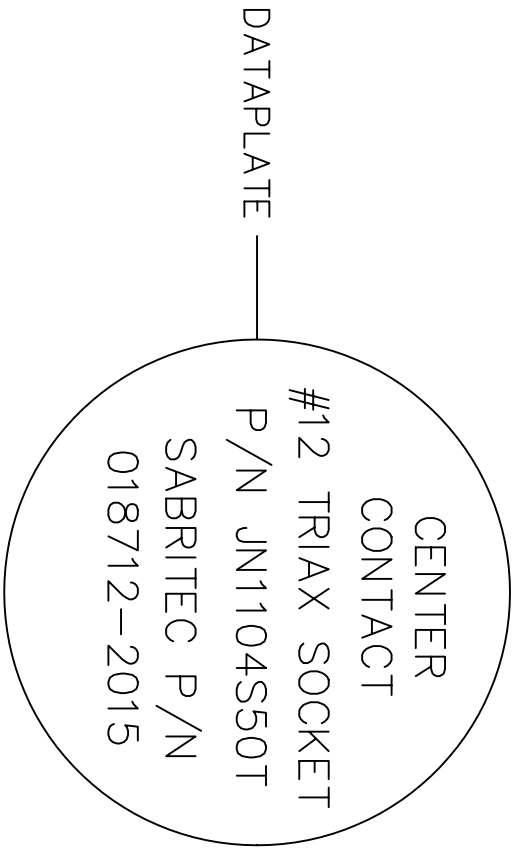
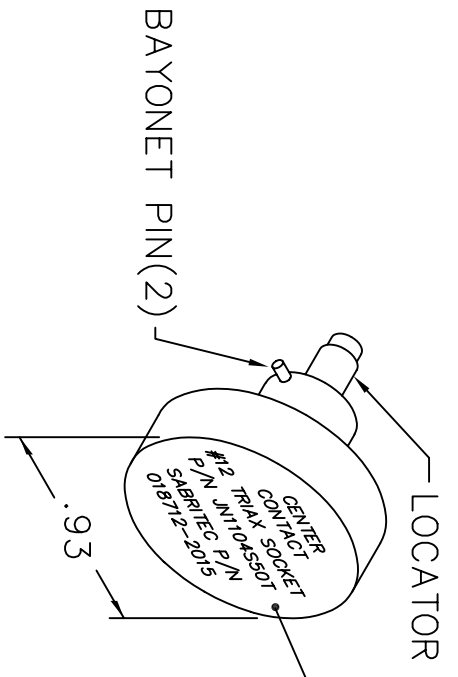
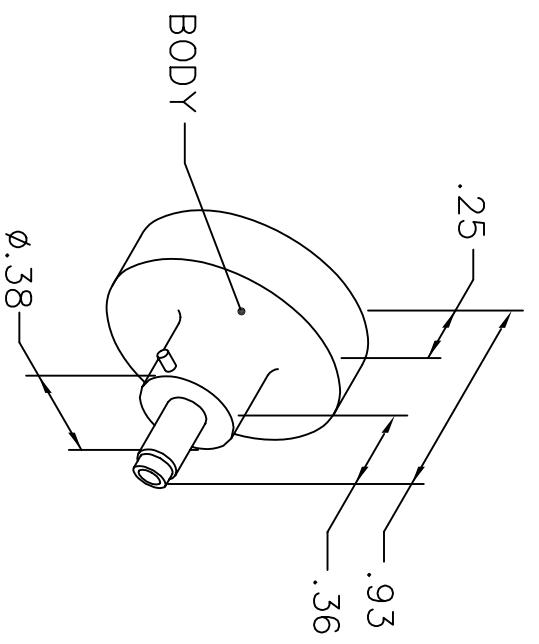


REVISIONS				
REV. SYM.	E.C.O. NUMBER	DESCRIPTION	BY DATE	APP'D DATE
1		ORIGINAL RELEASE	AAM 11-3-99	RRR 11-3-99
2		ADDED SABRITEC P/N	AAM 1-25-00	RRR 1-25-00

**UNCONTROLLED DOCUMENT
WILL NOT BE UPDATED**



NOTE: FOR USE WITH DANIELS CRIMP TOOLS
ACCOMMODATING "K" SERIES POSITIONERS

LOCATOR	
HOLE DIMENSIONS	ADDITIONAL FEATURES
$\phi .025$	$\perp \phi .036$
$\perp .580$ MIN.	$\perp .035$

RESTRICTED & CONFIDENTIAL

CONFIDENTIAL PROPERTY OF DANIELS MANUFACTURING CORP. NOT TO BE DISCLOSED TO OTHERS, REPRODUCED OR USED FOR ANY OTHER PURPOSE, EXCEPT AS AUTHORIZED IN WRITING BY DANIELS MANUFACTURING. MUST BE RETURNED TO DANIELS MANUFACTURING CORP. ON COMPLETION OF ORDER OR OTHER PURPOSE FOR WHICH LENT.

DO NOT SCALE DRAWING

DRN. A. MOO-YOUNG	DATE 11-3-99	TITLE	
CHK'D. RRR	DATE 11-3-99	ENVELOPE DRAWING POSITIONER	
APP'D.	DATE	WHERE USED: AFM8	
APP'D.	DATE	SIZE A	CAD P/N K1367-ENV
NOTE: THIS DRAWING IS AN OUTLINE DRAWING OF THE RESPECTIVE DMC PART NUMBER INDICATED. ACTUAL DMC PART NUMBER IS DRAWING NUMBER WITHOUT THE "-ENV" SUFFIX.		SCALE NTS	SHEET 1 OF 1
		POSTING	REV. 2
		DWG. NO. K1367-ENV	

DMC DANIELS MANUFACTURING CORP.
ORLANDO, FLORIDA
CAGE 11851