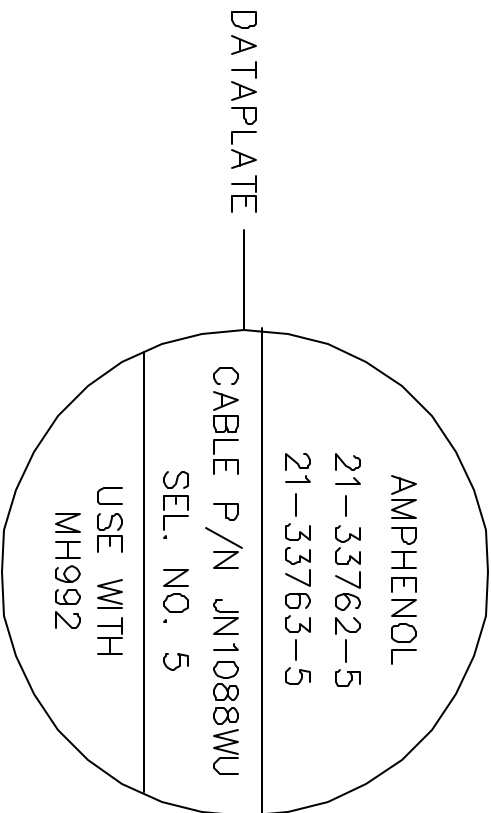
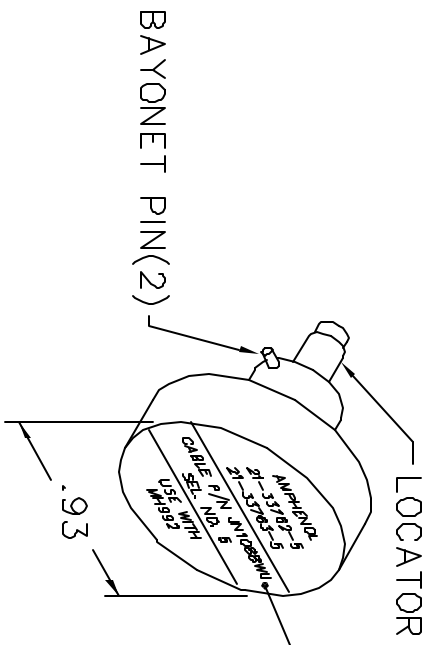
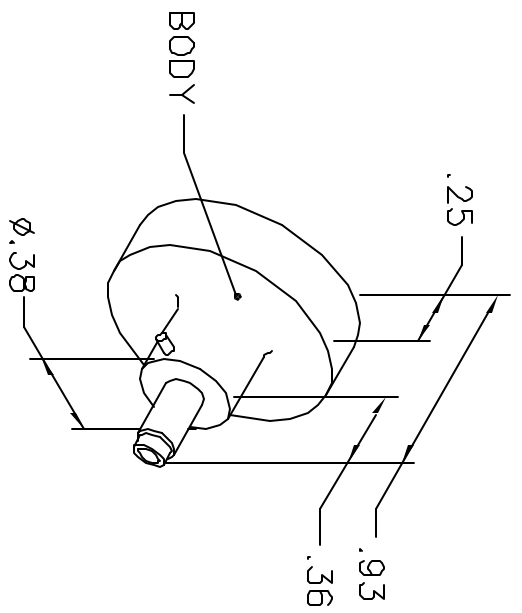


REVISIONS				
REV. SYM.	E.C.I.D. NUMBER	DESCRIPTION	BY DATE	APP'D DATE
1		ORIGINAL RELEASE	AAM 9-17-99	RRR 9-17-99

**UNCONTROLLED DOCUMENT
WILL NOT BE UPDATED**



NOTE: FOR USE WITH DANIELS CRIMP TOOL,
PART NUMBER MH992.

LOCATOR	
HOLE DIMENSIONS	ADDITIONAL FEATURES
Ø.033	┌┐ Ø.041
▽.580 MIN.	▽.039

RESTRICTED & CONFIDENTIAL

CONFIDENTIAL PROPERTY OF DANIELS MANUFACTURING CORP. NOT TO BE DISCLOSED TO OTHERS, REPRODUCED OR USED FOR ANY OTHER PURPOSE, EXCEPT AS AUTHORIZED IN WRITING BY DANIELS MANUFACTURING. MUST BE RETURNED TO DANIELS MANUFACTURING CORP. ON COMPLETION OF ORDER OR OTHER PURPOSE FOR WHICH LENT.

DO NOT SCALE DRAWING

DRN. A. MOO-YOUNG	DATE 9-17-99
CHK'D. RRR	DATE 9-17-99
APP'D.	DATE
APP'D.	DATE



DANIELS MANUFACTURING CORP.
ORLANDO, FLORIDA
CAGE 11851

TITLE: ENVELOPE DRAWING POSITIONER

WHERE USED: MH992	CAD P/N: K1365-ENV	SHEET 1 OF 1
SIZE: A	POSTING: P/N	REV. 1
SCALE: NTS	K1365-ENV	
	K1365-ENV	