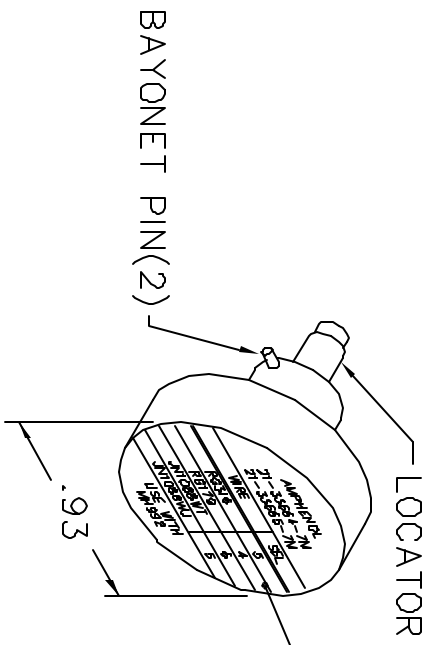
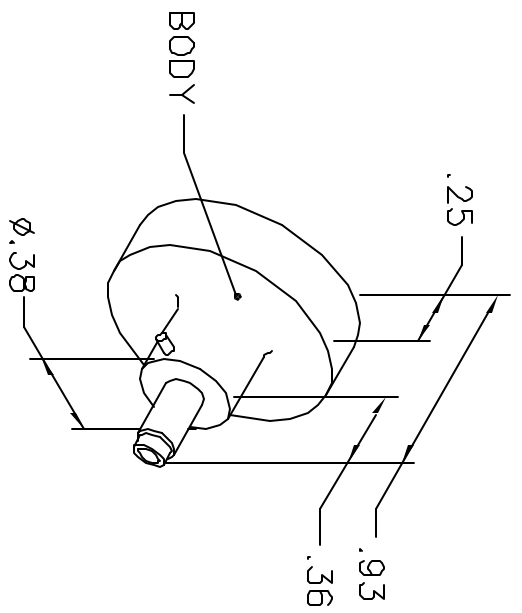


REVISIONS				
REV. SYM.	E.C.I.D. NUMBER	DESCRIPTION	BY DATE	APP'D DATE
1		ORIGINAL RELEASE	AMM 8-4-99	RRR 8-4-99

**UNCONTROLLED DOCUMENT
WILL NOT BE UPDATED**



AMPHENOL		
21-33664-7M		
21-33665-7M		
WIRE		SEL
RG316		5
RG179		4
JN1088WT		6
JN1088WU		5
USE WITH MH992		

NOTE: FOR USE WITH DANIELS CRIMP TOOL,
PART NUMBER MH992.

LOCATOR	
HOLE DIMENSIONS	ADDITIONAL FEATURES
∅.038	┌┐ ∅.055
∇.580 MIN.	∇.022

RESTRICTED & CONFIDENTIAL

CONFIDENTIAL PROPERTY OF DANIELS MANUFACTURING CORP. NOT TO BE DISCLOSED TO OTHERS, REPRODUCED OR USED FOR ANY OTHER PURPOSE, EXCEPT AS AUTHORIZED IN WRITING BY DANIELS MANUFACTURING. MUST BE RETURNED TO DANIELS MANUFACTURING CORP. ON COMPLETION OF ORDER OR OTHER PURPOSE FOR WHICH LENT.

DO NOT SCALE DRAWING

DRN. A. MOO-YOUNG	DATE 8-4-99	DANIELS MANUFACTURING CORP. ORLANDO, FLORIDA CAGE 11851
CHK'D. RRR	DATE 8-4-99	
APP'D.	DATE	
TITLE		ENVELOPE DRAWING POSITIONER
WHERE USED:		MH992
SIZE SCALE	CAD P/N	
A NTS	K1360-ENV	
POSTING	P/N	K1360-ENV
	SHEET 1 OF 1	REV. 1