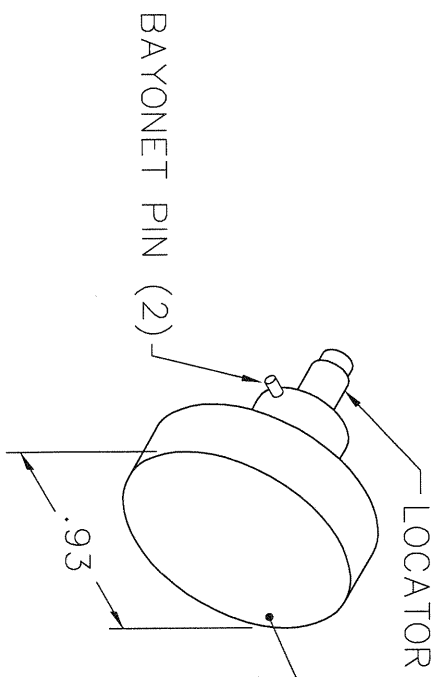
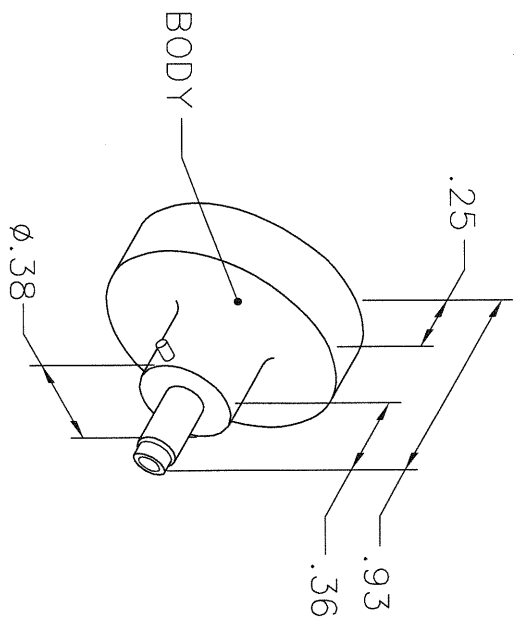


REVISIONS				
REV. SYM.	E.C.O. NUMBER	DESCRIPTION	BY TD DATE	APP'D DATE
1		ORIGINAL RELEASE	2/25/08	

**UNCONTROLLED DOCUMENT
WILL NOT BE UPDATED**



CONTACTS	
CABLE	SEL
M17/095-RG180	3
RAYCHEM 9527D1514-2L	5
RAYCHEM 9528A1318	4
MICRODOT 293-3922	3
M39029/75-417	

NOTE: FOR USE WITH DANIELS CRIMP TOOLS
ACCOMMODATING "K" SERIES POSITIONERS

LOCATOR	ADDITIONAL FEATURES
HOLE DIMENSIONS	ADDITIONAL FEATURES
φ.037 ▽.365	φ.057 ▽.050

RESTRICTED & CONFIDENTIAL

CONFIDENTIAL PROPERTY OF DANIELS MANUFACTURING CORP. NOT TO BE DISCLOSED TO OTHERS, REPRODUCED OR USED FOR ANY OTHER PURPOSE, EXCEPT AS AUTHORIZED IN WRITING BY DANIELS MANUFACTURING. MUST BE RETURNED TO DANIELS MANUFACTURING CORP. ON COMPLETION OF ORDER OR OTHER PURPOSE FOR WHICH LENT.

DO NOT SCALE DRAWING

DRN. <i>Gony Silverth</i>	DATE 2/25/08
CHK'D.	DATE
APP'D.	DATE
APP'D.	DATE

NOTE: THIS DRAWING IS AN OUTLINE DRAWING OF THE RESPECTIVE DMC PART NUMBER INDICATED. ACTUAL DMC PART NUMBER IS DRAWING NUMBER WITHOUT THE "-ENV" SUFFIX.



DANIELS MANUFACTURING CORP.
ORLANDO, FLORIDA
CAGE 11851

TITLE
ENVELOPE DRAWING
POSITIONER

WHERE USED:	CAD P/N	SHEET	OF
SIZE A	K1357-ENV	1	1
SCALE NTS	DWG. NO. K1357-ENV		
POSTING			
			REV. 1