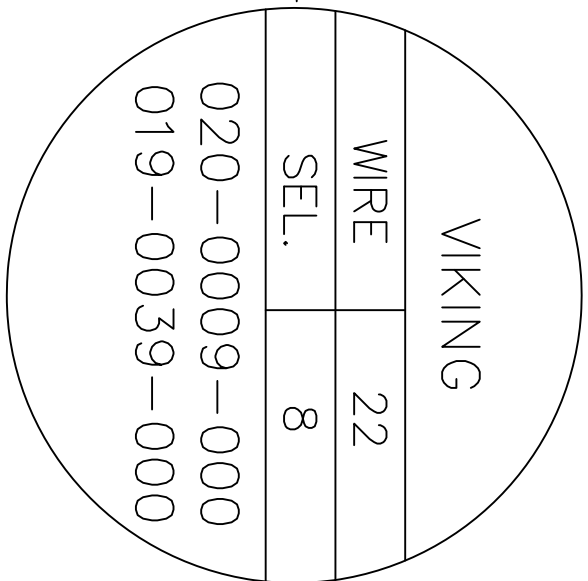
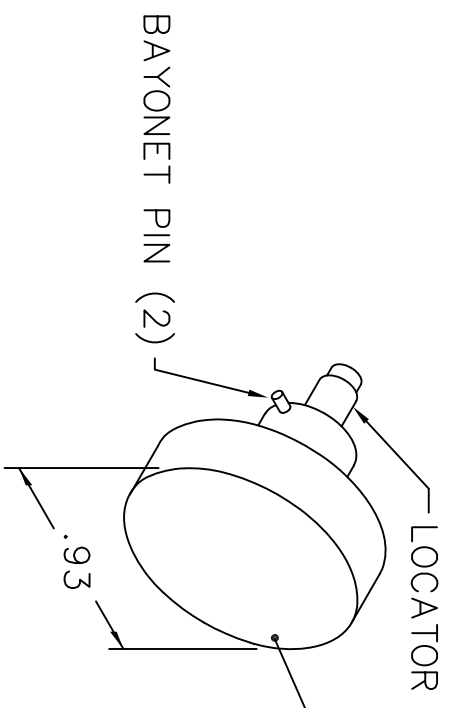
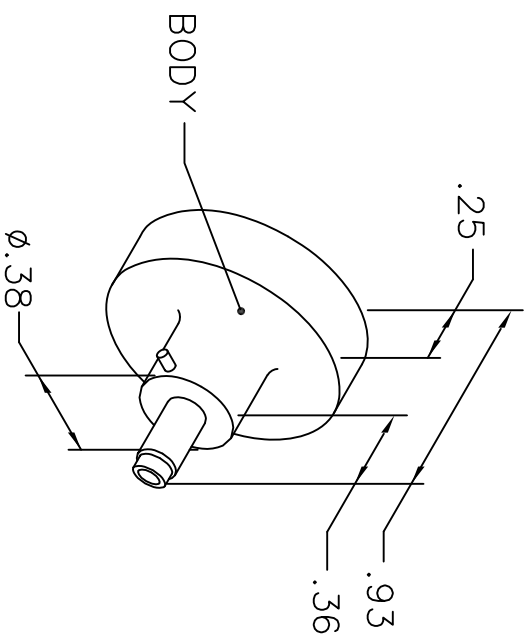


REVISIONS				
REV. SYM.	E.C.O. NUMBER	DESCRIPTION	BY DATE	APP'D DATE
1		ORIGINAL RELEASE	JWS 7-25-88	TS 7-25-88

**UNCONTROLLED DOCUMENT
WILL NOT BE UPDATED**



NOTE: FOR USE WITH DANIELS CRIMP TOOLS
ACCOMMODATING "K" SERIES POSITIONERS

LOCATOR	
HOLE DIMENSIONS	ADDITIONAL FEATURES
$\phi .050$ $\nabla .58 \text{ MIN.}$	$\perp \phi .089$ $\nabla .382$

RESTRICTED & CONFIDENTIAL

CONFIDENTIAL PROPERTY OF DANIELS MANUFACTURING CORP. NOT TO BE DISCLOSED TO OTHERS, REPRODUCED OR USED FOR ANY OTHER PURPOSE, EXCEPT AS AUTHORIZED IN WRITING BY DANIELS MANUFACTURING. MUST BE RETURNED TO DANIELS MANUFACTURING CORP. ON COMPLETION OF ORDER OR OTHER PURPOSE FOR WHICH LENT.

DO NOT SCALE DRAWING

DRN.	JWS	DATE	7-25-88
CHK'D.	TS	DATE	7-25-88
APP'D.	AAM	DATE	7-25-88
APP'D.		DATE	

NOTE: THIS DRAWING IS AN OUTLINE DRAWING OF THE RESPECTIVE DMC PART NUMBER INDICATED. ACTUAL DMC PART NUMBER IS DRAWING NUMBER WITHOUT THE "-ENV" SUFFIX.

DANIELS MANUFACTURING CORP. ORLANDO, FLORIDA CAGE 11851	
ENVELOPE DRAWING POSITIONER	
WHERE USED: AFM8	CAD P/N
SIZE A	K134-ENV
SCALE NTS	
POSTING	DWG. NO. K134-ENV
SHEET 1 OF 1	REV. 1