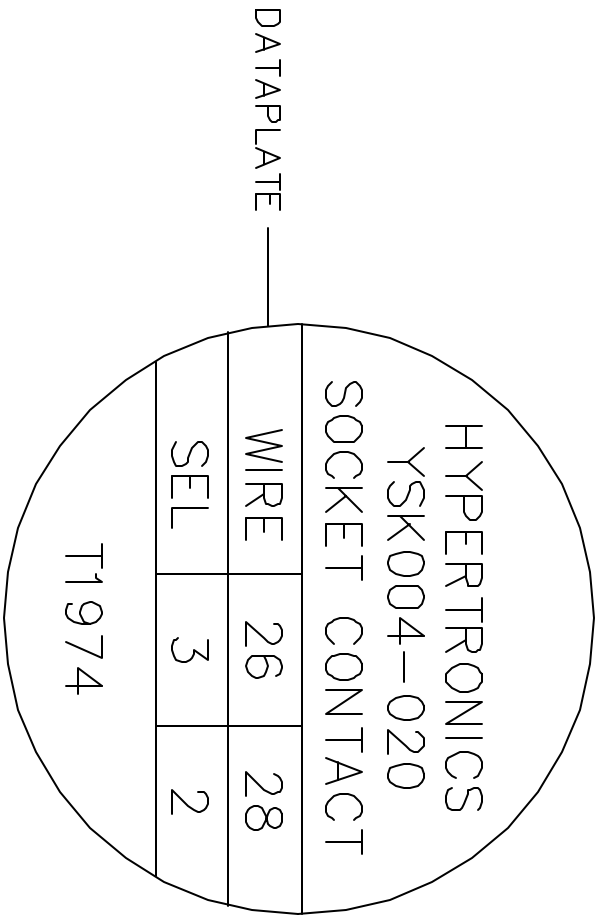
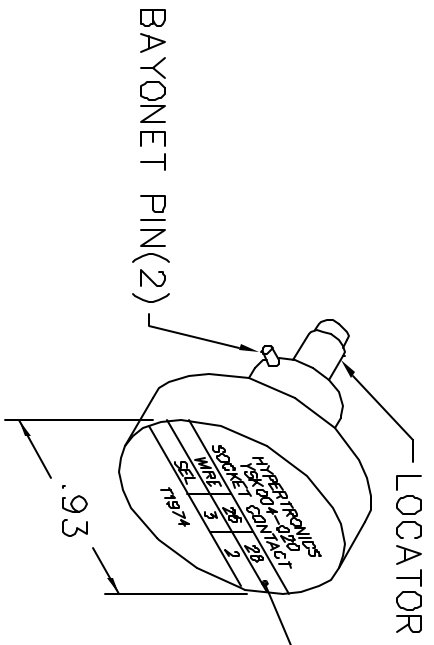
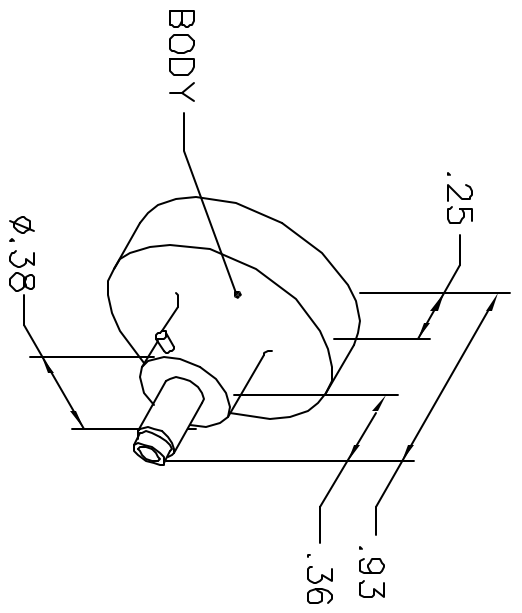


REVISIONS				
REV. SYM.	E.C.O.D. NUMBER	DESCRIPTION	BY DATE	APP'D DATE
2		.695 WAS .493 ADDED WIRE & SEL NOS.	AAM 1-31-01	RRR 1-31-01

**UNCONTROLLED DOCUMENT
WILL NOT BE UPDATED**



NOTE: FOR USE WITH DANIELS CRIMP TOOLS
ACCOMMODATING "K" SERIES POSITIONERS

LOCATOR	ADDITIONAL FEATURES
HOLE DIMENSIONS	
∅.059	
∇.695	

RESTRICTED & CONFIDENTIAL
CONFIDENTIAL PROPERTY OF DANIELS MANUFACTURING CORP. NOT TO BE DISCLOSED TO OTHERS, REPRODUCED OR USED FOR ANY OTHER PURPOSE, EXCEPT AS AUTHORIZED IN WRITING BY DANIELS MANUFACTURING. MUST BE RETURNED TO DANIELS MANUFACTURING CORP. ON COMPLETION OF ORDER OR OTHER PURPOSE FOR WHICH LENT.

DO NOT SCALE DRAWING

DRN. A. MOO-YOUNG	DATE 1-23-01	DMC DANIELS MANUFACTURING CORP. ORLANDO, FLORIDA CAGE 11851	TITLE ENVELOPE DRAWING POSITIONER	WHERE USED: AFMB	GAD P/N	SHEET	OF	
CHK'D. RRR	DATE 1-23-01			SIZE A	SCALE NTS	K1345-ENV	1	1
APP'D. DATE	DATE			POSTING	DWG. NO. K1345-ENV	REV. 2		