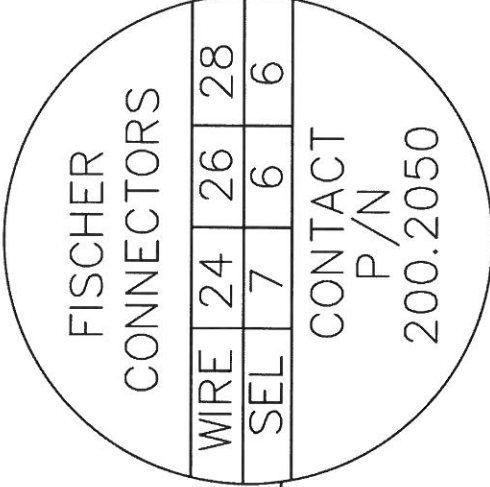
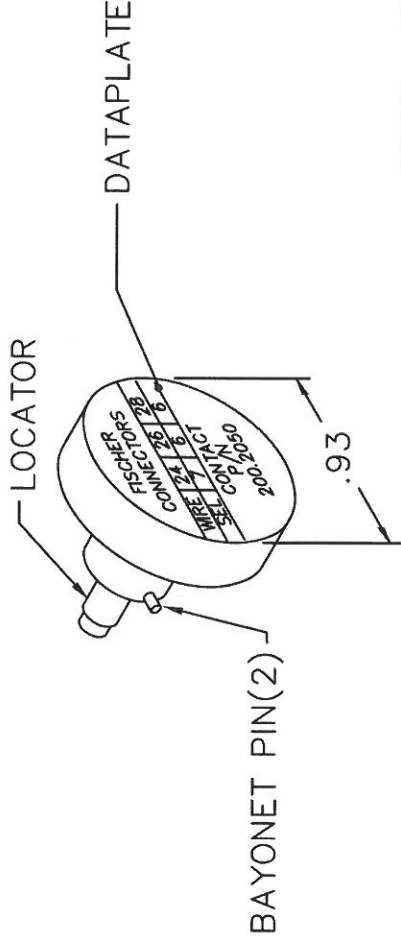
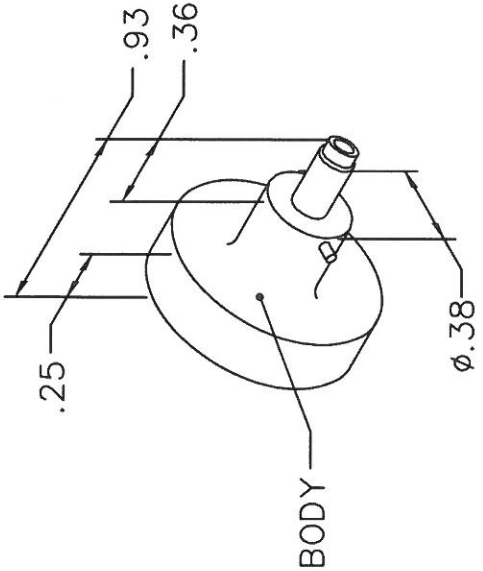


REVISIONS

REV. SYM.	E.C.O. NUMBER	DESCRIPTION	BY DATE	APP'D DATE
1		ORIGINAL RELEASE	AAAM 9-27-01	RRR 9-27-01

**UNCONTROLLED DOCUMENT  
WILL NOT BE UPDATED  
DIMENSIONS IN INCHES - UNLESS OTHERWISE SPECIFIED**



NOTE: FOR USE WITH DANIELS CRIMP TOOLS ACCOMMODATING "K" SERIES POSITIONERS

LOCATOR	
HOLE DIMENSIONS	ADDITIONAL FEATURES
0.062	/
0.690	

**RESTRICTED & CONFIDENTIAL**  
CONFIDENTIAL PROPERTY OF DANIELS MANUFACTURING CORP. NOT TO BE DISCLOSED TO OTHERS, REPRODUCED OR USED FOR ANY OTHER PURPOSE, EXCEPT AS AUTHORIZED IN WRITING BY DANIELS MANUFACTURING. MUST BE RETURNED TO DANIELS MANUFACTURING CORP. ON COMPLETION OF ORDER OR OTHER PURPOSE FOR WHICH LENT.

**DO NOT SCALE DRAWING**

DRN. A.	MOO-YOUNG	DATE
CHK'D.	RRR	9-27-01
APP'D.		
APP'D.		

NOTE:  
THIS DRAWING IS AN OUTLINE DRAWING OF THE RESPECTIVE DMC PART NUMBER INDICATED. ACTUAL DMC PART NUMBER IS DRAWING NUMBER WITHOUT THE "-ENVY" SUFFIX.

DANIELS MANUFACTURING CORP. ORLANDO, FLORIDA CAGE 11851	
TITLE	ENVELOPE DRAWING POSITIONER
WHERE USED:	AFM8
SIZE	A
SCALE	NTS
CAD P/N	K1334-ENV
SHEET	1
OF	1
POSTING	
DWG. NO.	K1334-ENV
REV.	1