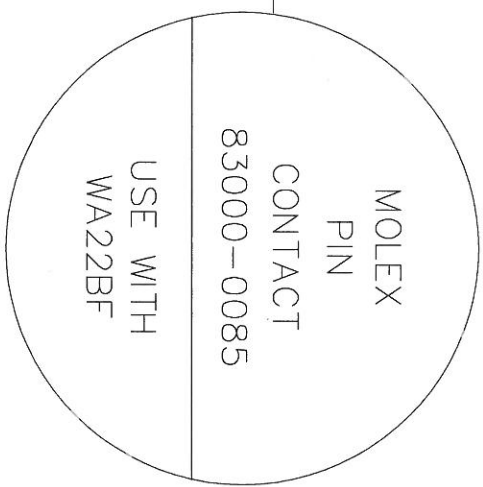
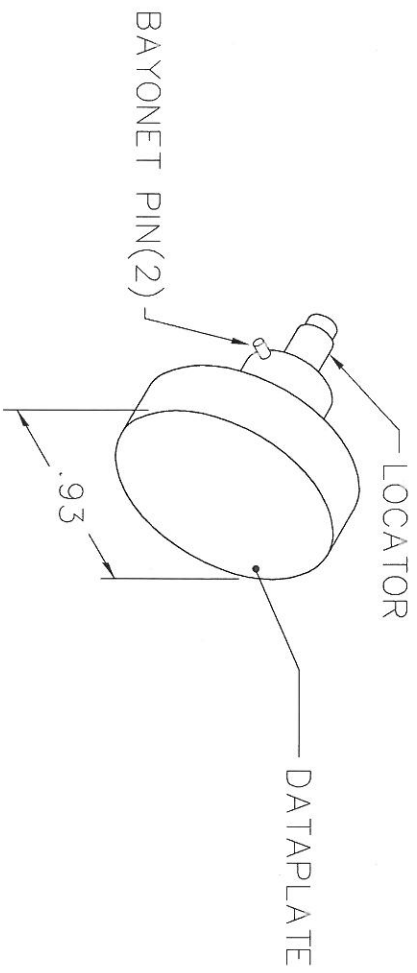
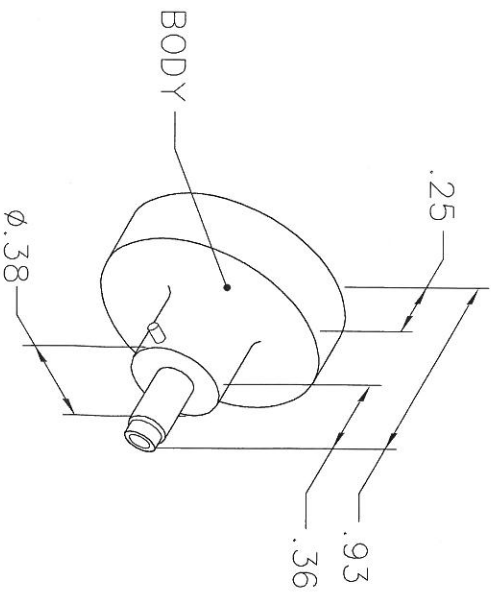


REVISIONS				
REV. SYM.	E.C.O. NUMBER	DESCRIPTION	BY DATE	APP'D DATE
1		ORIGINAL RELEASE	AAAM 4-24-00	RRR 4-24-00

**UNCONTROLLED DOCUMENT
WILL NOT BE UPDATED**



LOCATOR	
HOLE DIMENSIONS	ADDITIONAL FEATURES
∅.0135 ∓ .070	

RESTRICTED & CONFIDENTIAL

CONFIDENTIAL PROPERTY OF DANIELS MANUFACTURING CORP. NOT TO BE DISCLOSED TO OTHERS, REPRODUCED OR USED FOR ANY OTHER PURPOSE, EXCEPT AS AUTHORIZED IN WRITING BY DANIELS MANUFACTURING. MUST BE RETURNED TO DANIELS MANUFACTURING CORP. ON COMPLETION OF ORDER OR OTHER PURPOSE FOR WHICH LENT.

DO NOT SCALE DRAWING

DRN.	DATE
A. MOO-YOUNG	4-24-00
CHK'D. RRR	4-24-00
APP'D.	DATE
APP'D.	DATE

NOTE: THIS DRAWING IS AN OUTLINE DRAWING OF THE RESPECTIVE DMC PART NUMBER INDICATED. ACTUAL DMC PART NUMBER IS DRAWING NUMBER WITHOUT THE "-ENV" SUFFIX.

TITLE			
ENVELOPE DRAWING POSITIONER			
WHERE USED: WA22BF			
SIZE	SCALE	CAD P/N	SHEET OF
A	NTS	K1319-ENV	1 1
DWG. NO. K1319-ENV			REV. 1

DMC DANIELS MANUFACTURING CORP.
ORLANDO, FLORIDA
CAGE 11851