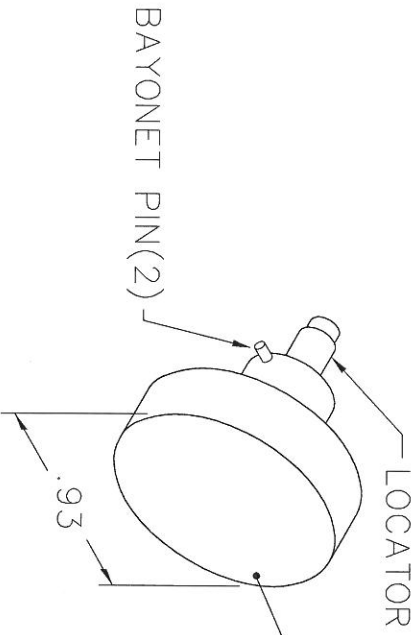
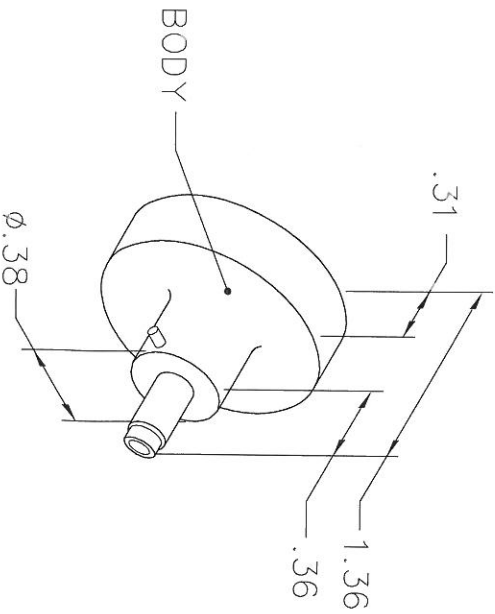


REVISIONS				
REV. SYM.	E.C.O. NUMBER	DESCRIPTION	BY DATE	APP'D DATE
1		ORIGINAL RELEASE	AAM 9-11-02	RRR 9-11-02

**UNCONTROLLED DOCUMENT  
WILL NOT BE UPDATED**

DIMENSIONS IN INCHES - UNLESS OTHERWISE SPECIFIED



FOR USE  
ON CONTACTS  
FOR PIC P/N  
190821  
PIC #110203  
DMC #K1302

LOCATOR	
HOLE DIMENSIONS	ADDITIONAL FEATURES
$\phi .089$ $\pm .683$	

**RESTRICTED & CONFIDENTIAL**

CONFIDENTIAL PROPERTY OF DANIELS MANUFACTURING CORP. NOT TO BE DISCLOSED TO OTHERS, REPRODUCED OR USED FOR ANY OTHER PURPOSE, EXCEPT AS AUTHORIZED IN WRITING BY DANIELS MANUFACTURING. MUST BE RETURNED TO DANIELS MANUFACTURING CORP. ON COMPLETION OF ORDER OR OTHER PURPOSE FOR WHICH LENT.

DO NOT SCALE DRAWING

DRN. A. MOO-YOUNG	DATE 9-11-02
CHK'D. RRR	DATE 9-11-02
APP'D.	DATE
APP'D.	DATE

NOTE:  
THIS DRAWING IS AN OUTLINE DRAWING OF THE RESPECTIVE DMC PART NUMBER INDICATED. ACTUAL DMC PART NUMBER IS DRAWING NUMBER WITHOUT THE "-ENV" SUFFIX.



DANIELS MANUFACTURING CORP.  
ORLANDO, FLORIDA  
CAGE 11851

TITLE  
ENVELOPE DRAWING  
POSITIONER

WHERE USED: AFM8			
SIZE A	SCALE NTS	CAD P/N K1302-ENV	SHEET 1 OF 1
POSTING		DWG. NO. K1302-ENV	REV. 1