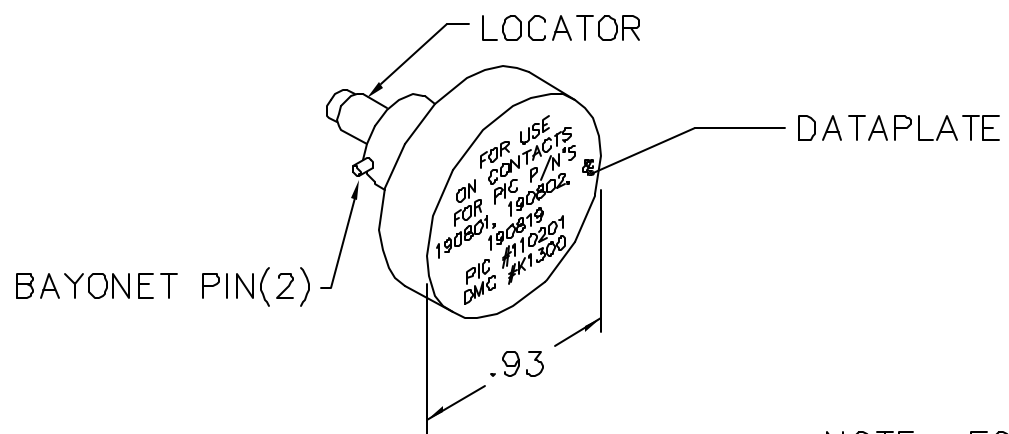
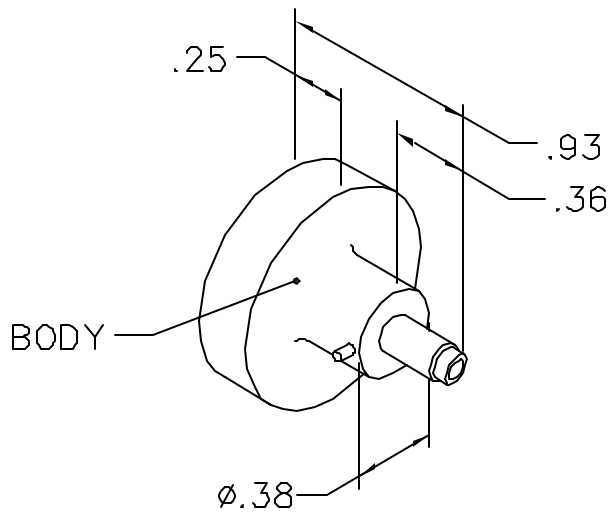


| REVISIONS | | | | |
|-----------|---------------|------------------|----------------|----------------|
| REV. SYM. | E.C.O. NUMBER | DESCRIPTION | BY DATE | APP'D DATE |
| 1 | | ORIGINAL RELEASE | AAM 9-11-02 | RRR 9-11-02 |

**UNCONTROLLED DOCUMENT
WILL NOT BE UPDATED**



FOR USE
ON CONTACTS
FOR PIC P/N'S
190801, 190802, &
190819
PIC #110201
DMC #K1300

NOTE: FOR USE WITH DANIELS CRIMP TOOLS
ACCOMMODATING "K" SERIES POSITIONERS

| LOCATOR | |
|-----------------|---------------------|
| HOLE DIMENSIONS | ADDITIONAL FEATURES |
| Ø.089 ▽.345 | |

RESTRICTED & CONFIDENTIAL

CONFIDENTIAL PROPERTY OF DANIELS MANUFACTURING CORP. NOT TO BE DISCLOSED TO OTHERS, REPRODUCED OR USED FOR ANY OTHER PURPOSE, EXCEPT AS AUTHORIZED IN WRITING BY DANIELS MANUFACTURING. MUST BE RETURNED TO DANIELS MANUFACTURING CORP. ON COMPLETION OF ORDER OR OTHER PURPOSE FOR WHICH LENT.

DO NOT SCALE DRAWING

| | |
|----------------------|-----------------|
| DRN. A. MOO-YOUNG | DATE 9-11-02 |
| CHK'D. RRR | DATE 9-11-02 |
| APP'D. | DATE |
| APP'D. | DATE |

DMC DANIELS MANUFACTURING CORP.
ORLANDO, FLORIDA
CAGE 11851

TITLE
**ENVELOPE DRAWING
POSITIONER**

WHERE USED: AFM8

| | | | |
|-----------|------------------|----------------------|-----------------|
| SIZE A | SCALE NTS | CAD P/N K1300-ENV | SHEET OF 1 1 |
| POSTING | P/N K1300-ENV | REV. 1 | |