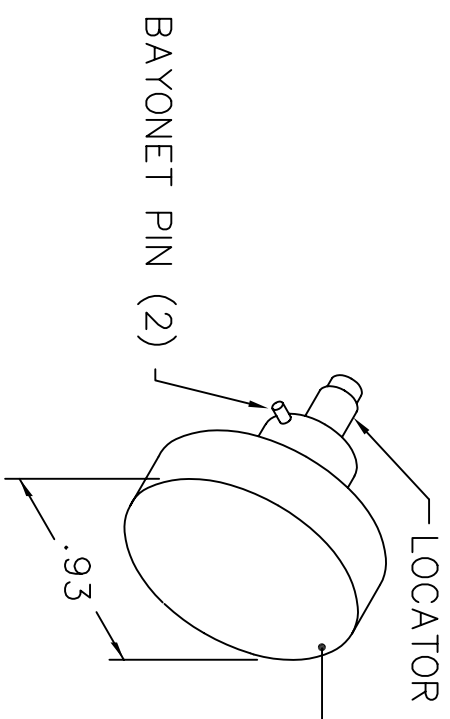
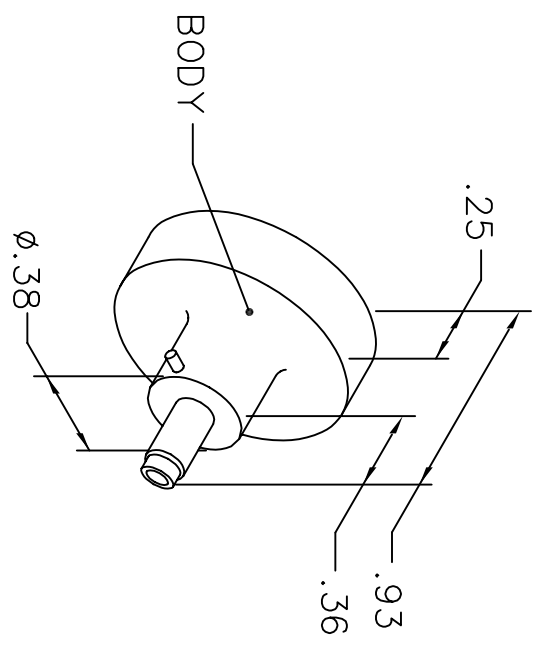


REVISIONS				
REV. SYM.	E.C.O. NUMBER	DESCRIPTION	BY DATE	APP'D DATE
1		ORIGINAL RELEASE	JWJ 2/16/04	RRR 2/16/04

**UNCONTROLLED DOCUMENT  
WILL NOT BE UPDATED**



USE WITH CONTACTS		
SEL	WIRE SIZE	CONTACT
4	26	WHIRLWIND PIN OR SOCKET CONTACT
5	24	
6	22	
7	20	

1. FOR USE WITH DANIELS CRIMP TOOLS ACCOMMODATING "K" SERIES POSITIONERS
- NOTES:

LOCATOR	
HOLE DIMENSIONS	ADDITIONAL FEATURES
∅.078 ∓.58 MIN.	└┘ ∅.094 ∓.126

**RESTRICTED & CONFIDENTIAL**

CONFIDENTIAL PROPERTY OF DANIELS MANUFACTURING CORP. NOT TO BE DISCLOSED TO OTHERS, REPRODUCED OR USED FOR ANY OTHER PURPOSE, EXCEPT AS AUTHORIZED IN WRITING BY DANIELS MANUFACTURING. MUST BE RETURNED TO DANIELS MANUFACTURING CORP. ON COMPLETION OF ORDER OR OTHER PURPOSE FOR WHICH LENT.

DO NOT SCALE DRAWING

DRN.	J. JOYCE	DATE	2/16/04
CHK'D.	RRR	DATE	2/16/04
APP'D.		DATE	
APP'D.		DATE	

NOTE: THIS DRAWING IS AN OUTLINE DRAWING OF THE RESPECTIVE DMC PART NUMBER INDICATED. ACTUAL DMC PART NUMBER IS DRAWING NUMBER WITHOUT THE "-ENV" SUFFIX.

**DMC** DANIELS MANUFACTURING CORP.  
ORLANDO, FLORIDA  
CAGE 11851

TITLE: POSITIONER ENVELOPE DRAWING

WHERE USED: SIZE A SCALE NTS POSTING

CAD P/N: K13-3-ENV  
DWG. NO.: K13-3-ENV

SHEET 1 OF 1  
REV. 1