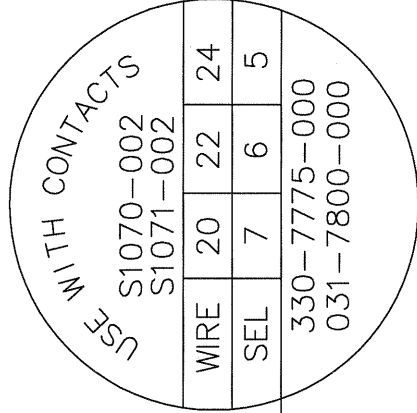
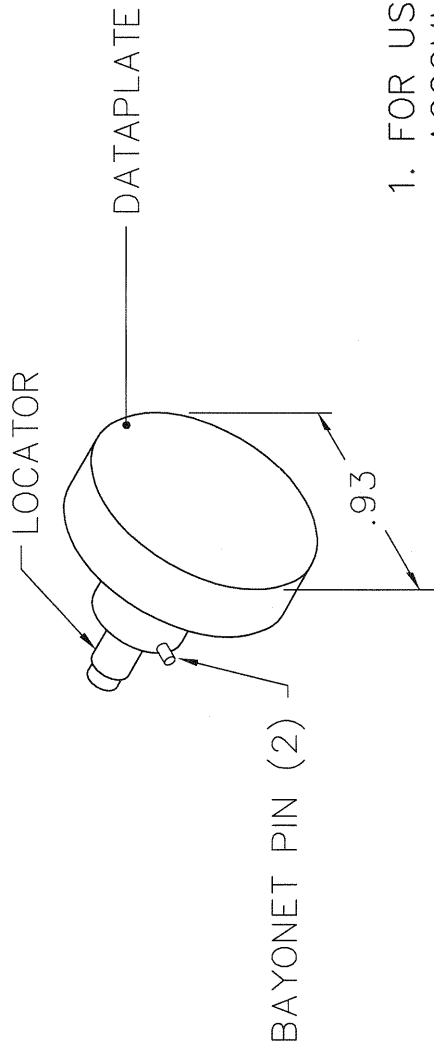
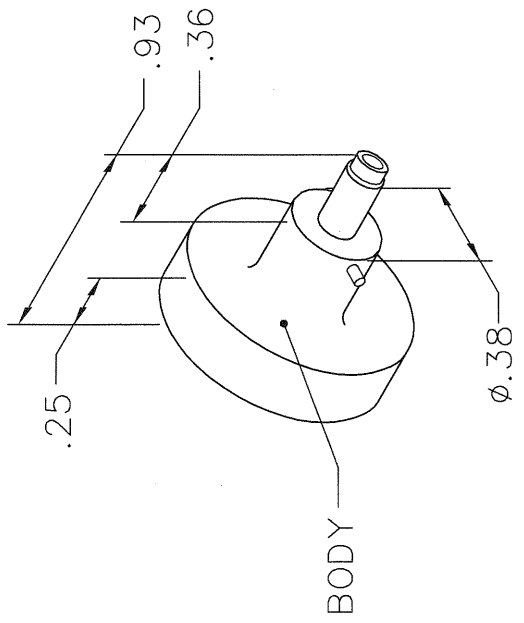


REVISIONS

REV. SYM.	E.C.O. NUMBER	DESCRIPTION	BY DATE	APP'D DATE
1		ORIGINAL RELEASE	3-18-08	

**UNCONTROLLED DOCUMENT
WILL NOT BE UPDATED**



1. FOR USE WITH DANIELS CRIMP TOOLS ACCOMMODATING "K" SERIES POSITIONERS

NOTES:

LOCATOR	ADDITIONAL FEATURES
$\phi .078$	$\perp \phi .094$
$\nabla .58$ MIN.	$\nabla .085$

RESTRICTED & CONFIDENTIAL
 CONFIDENTIAL PROPERTY OF DANIELS MANUFACTURING CORP. NOT TO BE DISCLOSED TO OTHERS, REPRODUCED OR USED FOR ANY OTHER PURPOSE, EXCEPT AS AUTHORIZED IN WRITING BY DANIELS MANUFACTURING CORP. ON COMPLETION OF ORDER OR OTHER PURPOSE FOR WHICH LENT.

DO NOT SCALE DRAWING

DRN. Tony Dilworth	DATE 3-18-08
CHK'D.	DATE
APP'D.	DATE
APP'D.	DATE

NOTE:
 THIS DRAWING IS AN OUTLINE DRAWING OF THE RESPECTIVE DMC PART NUMBER INDICATED. ACTUAL DMC PART NUMBER IS DRAWING NUMBER WITHOUT THE "-ENV" SUFFIX.

DMC DANIELS MANUFACTURING CORP.
 ORLANDO, FLORIDA
 CAGE 11851

TITLE	POSITIONER ENVELOPE DRAWING
WHERE USED:	
SIZE	A
SCALE	NTS
CAD P/N	K13-2-ENV
SHEET	1
OF	1
DWG. NO.	K13-2-ENV
REV.	1