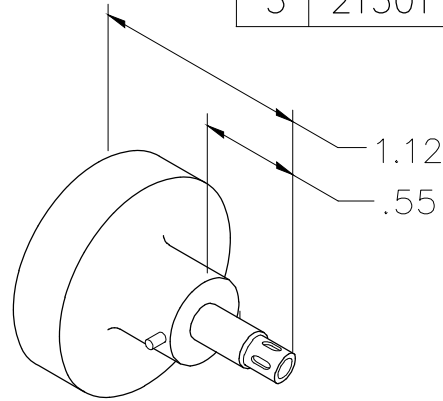
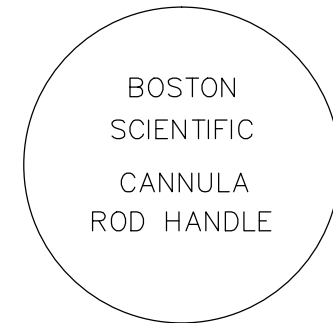
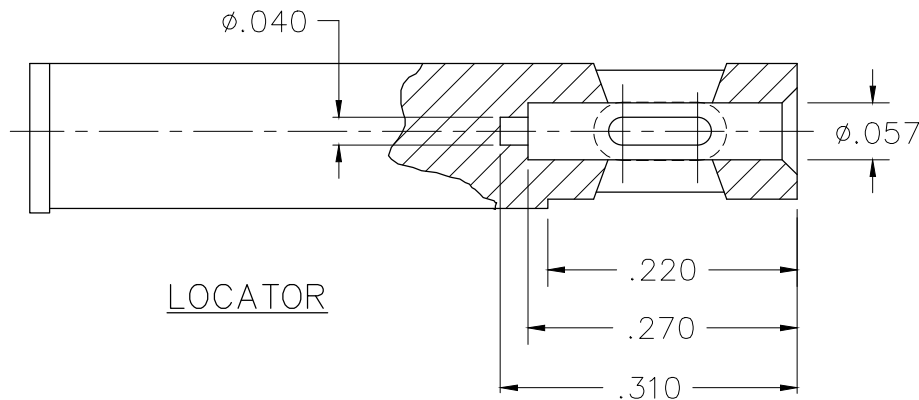


| REVISIONS | | | | |
|-----------|---------------|--------------------------|----------------|----------------|
| REV. SYM. | E.C.O. NUMBER | DESCRIPTION | BY DATE | APP'D DATE |
| 2 | | ADDED BODY DIMENSIONS | AAM 11-6-00 | RRR 11-6-00 |
| 3 | 21501 | ADDED ADDITIONAL FEATURE | TD 11-12-09 | |



**UNCONTROLLED DOCUMENT
WILL NOT BE UPDATED**



DATAPLATE

NOTE: FOR USE WITH DANIELS CRIMP TOOLS
ACCOMMODATING "K" SERIES POSITIONERS

RESTRICTED & CONFIDENTIAL

CONFIDENTIAL PROPERTY OF DANIELS MANUFACTURING CORP. NOT TO BE DISCLOSED TO OTHERS, REPRODUCED OR USED FOR ANY OTHER PURPOSE, EXCEPT AS AUTHORIZED IN WRITING BY DANIELS MANUFACTURING. MUST BE RETURNED TO DANIELS MANUFACTURING CORP. ON COMPLETION OF ORDER OR OTHER PURPOSE FOR WHICH LENT.

DO NOT SCALE DRAWING

| | |
|----------------------|-----------------|
| DRN. A. MOO-YOUNG | DATE 4-27-00 |
| CHK'D. RRR | DATE 4-27-00 |
| APP'D. | DATE |
| APP'D. | DATE |

NOTE:
THIS DRAWING IS AN OUTLINE DRAWING OF THE RESPECTIVE DMC PART NUMBER INDICATED. ACTUAL DMC PART NUMBER IS DRAWING NUMBER WITHOUT THE "-ENV" SUFFIX.



DANIELS MANUFACTURING CORP.
ORLANDO, FLORIDA
CAGE 11851

| | | | |
|---|------------------------|-----------------------|-----------------|
| TITLE ENVELOPE DRAWING POSITIONER | | | |
| WHERE USED: AFM8 | | | |
| SIZE A | SCALE NTS | CAD P/N K1297S-ENV | SHEET OF 1 1 |
| POSTING | DWG. NO. K1297S-ENV | | REV. 3 |