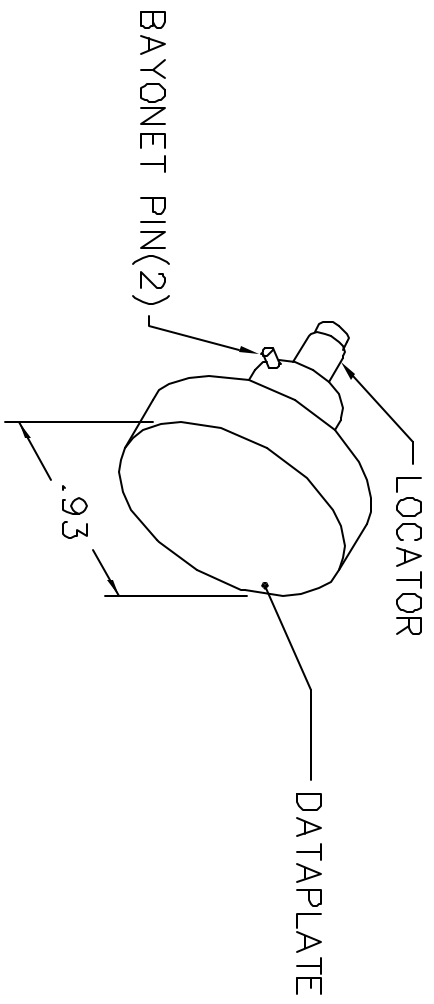
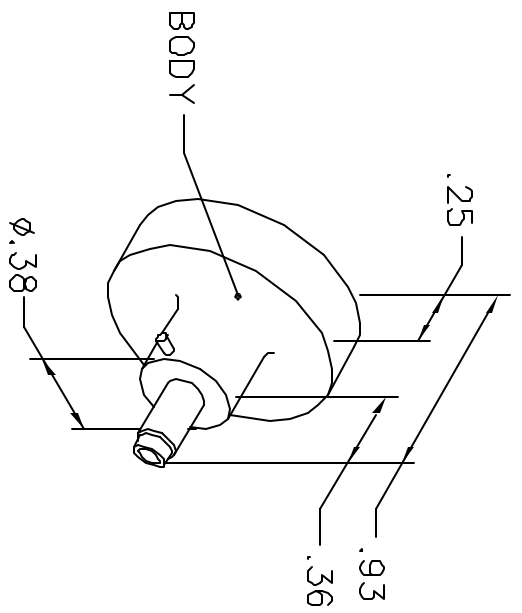


REVISIONS				
REV. SYM.	E.C.D. NUMBER	DESCRIPTION	BY DATE	APP'D DATE
1		ORIGINAL RELEASE	LSV 7-22-91	PD 7-22-91

**UNCONTROLLED DOCUMENT
WILL NOT BE UPDATED**



DEUTSCH K127-3			
WIRE	22	24	26
SEL.	3	2	1
ABS1493-122KZ22 P182-0671-22 FMJ			

NOTE: FOR USE WITH DANIELS CRIMP TOOL, AFM8.

LOCATOR	ADDITIONAL FEATURES
HOLE DIMENSIONS	∅.073
	∅.430
	∅.131

RESTRICTED & CONFIDENTIAL

CONFIDENTIAL PROPERTY OF DANIELS MANUFACTURING CORP. NOT TO BE DISCLOSED TO OTHERS, REPRODUCED OR USED FOR ANY OTHER PURPOSE, EXCEPT AS AUTHORIZED IN WRITING BY DANIELS MANUFACTURING. MUST BE RETURNED TO DANIELS MANUFACTURING CORP. ON COMPLETION OF ORDER OR OTHER PURPOSE FOR WHICH LENT.

DO NOT SCALE DRAWING

DRN. J. JOYCE	DATE 4/20/04	DANIELS MANUFACTURING CORP. ORLANDO, FLORIDA CAGE 11851			
CHKD. RRR	DATE 4/20/04				
APP'D.	DATE	TITLE ENVELOPE DRAWING POSITIONER			
APP'D.	DATE				
NOTE: THIS DRAWING IS AN OUTLINE DRAWING OF THE RESPECTIVE DWG PART NUMBER INDICATED. ACTUAL DWG PART NUMBER IS DRAWING NUMBER WITHOUT THE "-ENV" SUFFIX.		WHERE USED: AFM8	GAD P/N	SHEET	OF
SIZE	SCALE	K127-3-ENV	1	1	1
POSTING	DWG. NO.	K127-3-ENV	REV.	1	1