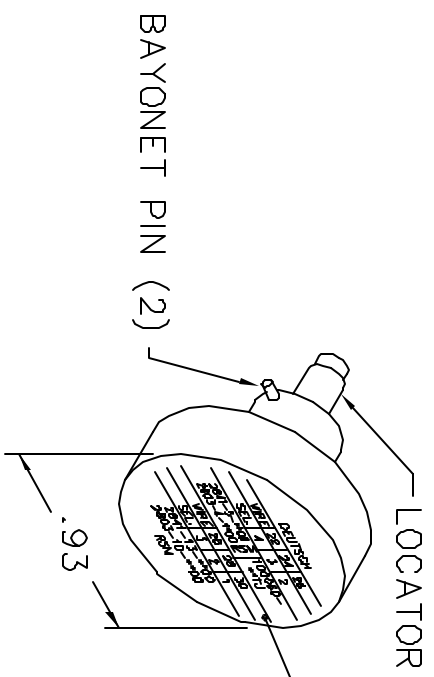
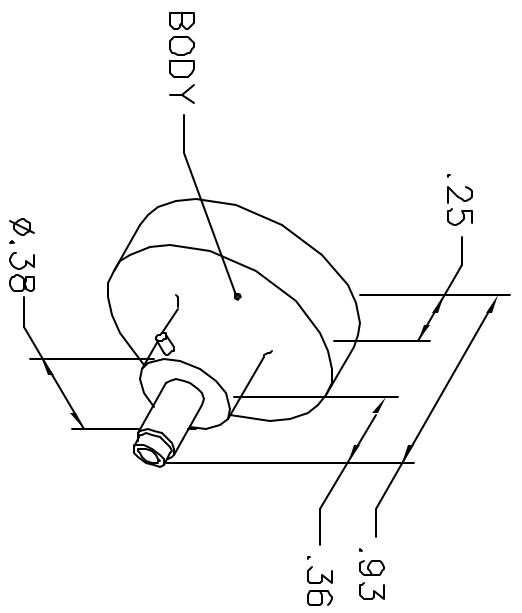


REVISIONS				
REV. SYM.	E.C.D. NUMBER	DESCRIPTION	BY DATE	APP'D DATE
1		ORIGINAL RELEASE	AAW 11-28-01	RRR 11-28-01

**UNCONTROLLED DOCUMENT  
WILL NOT BE UPDATED**



DEUTSCH			
WIRE	22	24	26
SEL.	4	3	2
2841-5-**-00 $\Sigma$ 100060-			
2803-4-**-00 R $\Sigma$ **TJ			
WIRE	26	28	30
SEL.	3	2	1
2841-13-**-00			
2803-10-**-00			
RSM			

NOTE: FOR USE WITH DANIELS CRIMP TOOL, AFM8.

LOCATOR	
HOLE DIMENSIONS	ADDITIONAL FEATURES
$\varnothing .052$ $\nabla .430$	$\perp \varnothing .062$ $\nabla .100$

**RESTRICTED & CONFIDENTIAL**

CONFIDENTIAL PROPERTY OF DANIELS MANUFACTURING CORP. NOT TO BE DISCLOSED TO OTHERS, REPRODUCED OR USED FOR ANY OTHER PURPOSE, EXCEPT AS AUTHORIZED IN WRITING BY DANIELS MANUFACTURING. MUST BE RETURNED TO DANIELS MANUFACTURING CORP. ON COMPLETION OF ORDER OR OTHER PURPOSE FOR WHICH LENT.

DO NOT SCALE DRAWING

DRN.	DATE
A. MOO-YOUNG	11-28-01
CHK'D.	DATE
RRR	11-28-01
APP'D.	DATE
APP'D.	DATE

NOTE: THIS DRAWING IS AN OUTLINE DRAWING OF THE RESPECTIVE DMC PART NUMBER INDICATED. ACTUAL DMC PART NUMBER IS DRAWING NUMBER WITHOUT THE "-ENV" SUFFIX.

**DANIELS MANUFACTURING CORP.**  
ORLANDO, FLORIDA  
CAGE 17851

**ENVELOPE DRAWING POSITIONER**

WHERE USED: AFM8			
SIZE	SCALE	CAD P/N	SHEET OF
A	NTS	K127-1-ENV	1 OF 1
POSTING		DWG. NO. K127-1-ENV	REV. 1