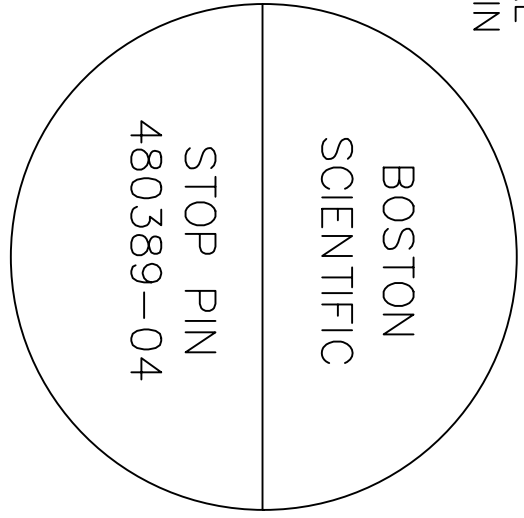
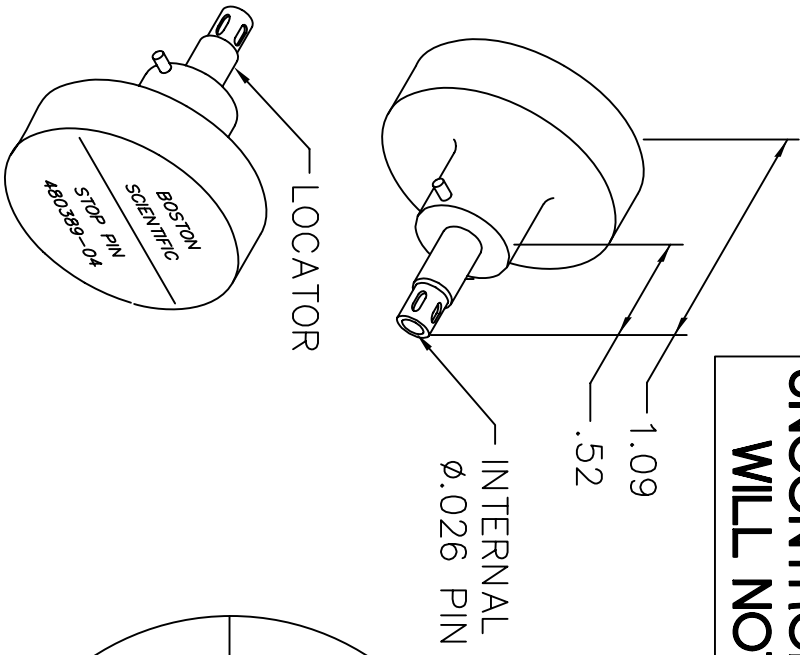
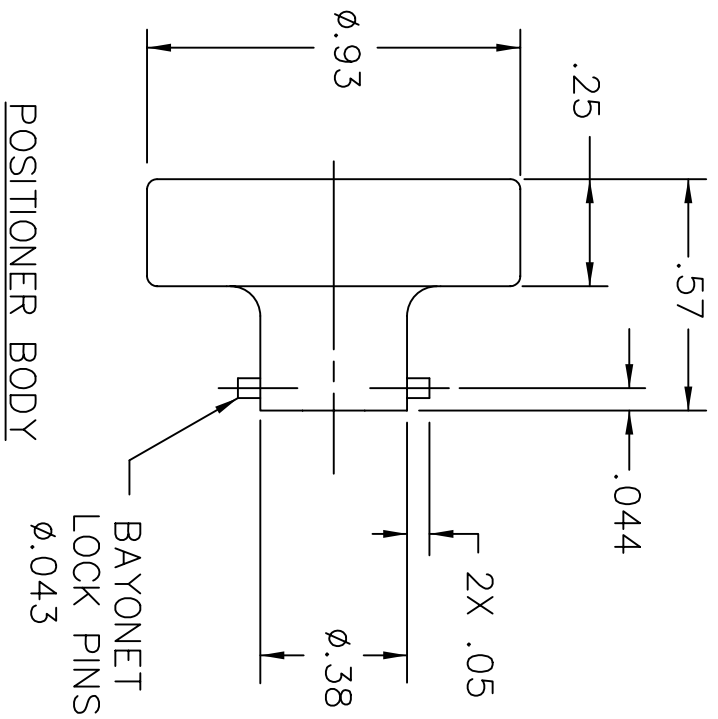


REVISIONS				
REV. SYM.	E.C.O. NUMBER	DESCRIPTION	BY DATE	APP'D DATE
2		ADDED BODY DIMENSIONS	AAM 11-6-00	RRR 11-6-00
3		ADDED ϕ .026 INTERNAL PIN	AAM 3-8-01	RRR 3-8-01

**UNCONTROLLED DOCUMENT
WILL NOT BE UPDATED**



NOTE: FOR USE WITH DANIELS CRIMP TOOLS ACCOMMODATING "K" SERIES POSITIONERS

DATAPLATE

LOCATOR	
HOLE DIMENSIONS	ADDITIONAL FEATURES
ϕ .053 ∇ .440	ϕ .026 PIN .221 FROM TOP OF HOLE

RESTRICTED & CONFIDENTIAL
CONFIDENTIAL PROPERTY OF DANIELS MANUFACTURING CORP. NOT TO BE DISCLOSED TO OTHERS, REPRODUCED OR USED FOR ANY OTHER PURPOSE, EXCEPT AS AUTHORIZED IN WRITING BY DANIELS MANUFACTURING. MUST BE RETURNED TO DANIELS MANUFACTURING CORP. ON COMPLETION OF ORDER OR OTHER PURPOSE FOR WHICH LENT.

DO NOT SCALE DRAWING

DRN. A. MOO-YOUNG	DATE 11-2-00
CHKD. RRR	DATE 11-2-00
APPD.	DATE
APPD.	DATE

Daniel's Manufacturing Corp.
ORLANDO, FLORIDA
CAGE 11851

ENVELOPE DRAWING
POSITIONER

WHERE USED: AFMB

SIZE A	SCALE NTS	CAD P/N K1261S-ENV	SHEET 1 OF 1
POSTING		DWG. NO. K1261S-ENV	REV. 3