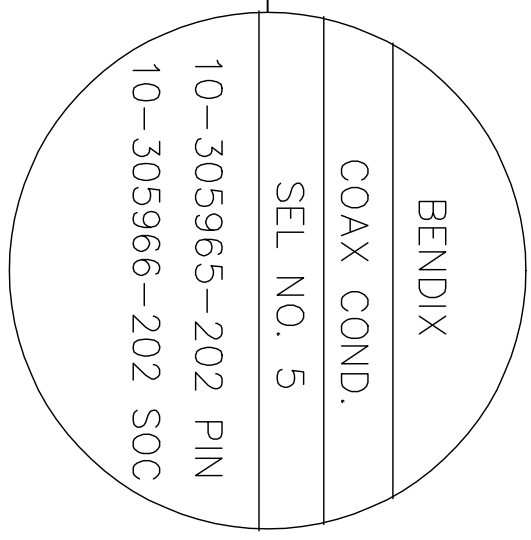
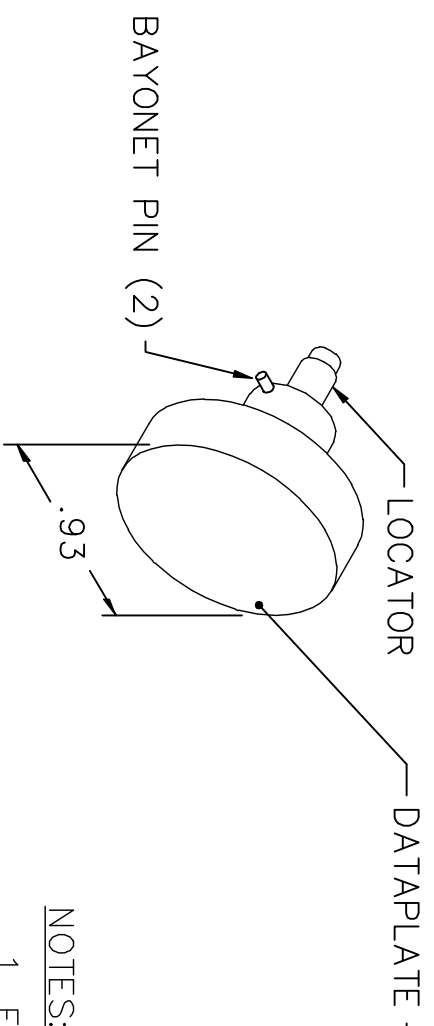
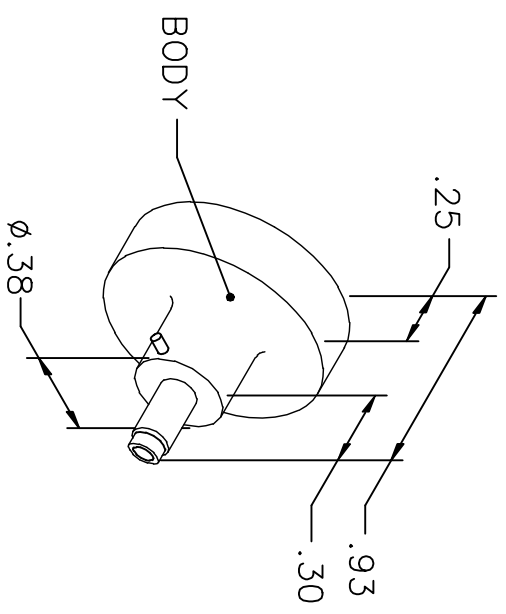


REVISIONS				
REV. SYM.	E.C.O. NUMBER	DESCRIPTION	BY DATE	APP'D DATE
1		ORIGINAL RELEASE	TD 12-23-09	

**UNCONTROLLED DOCUMENT  
WILL NOT BE UPDATED**



**NOTES:**

- FOR USE WITH DANIELS CRIMP TOOLS ACCOMMODATING "K" SERIES POSITIONERS

LOCATOR	
HOLE DIMENSIONS	ADDITIONAL FEATURES
∅.089 ±.505	

**RESTRICTED & CONFIDENTIAL**

CONFIDENTIAL PROPERTY OF DANIELS MANUFACTURING CORP. NOT TO BE DISCLOSED TO OTHERS, REPRODUCED OR USED FOR ANY OTHER PURPOSE, EXCEPT AS AUTHORIZED IN WRITING BY DANIELS MANUFACTURING. MUST BE RETURNED TO DANIELS MANUFACTURING CORP. ON COMPLETION OF ORDER OR OTHER PURPOSE FOR WHICH LENT.

DO NOT SCALE DRAWING

DRN. <i>Jenny Sitworth</i>	DATE	12-23-09	TITLE	
CHK'D.	DATE		POSITIONER ENVELOPE DRAWING	
APP'D.	DATE		WHERE USED: AFM8	
APP'D.	DATE		SIZE	SCALE
NOTE: THIS DRAWING IS AN OUTLINE DRAWING OF THE RESPECTIVE DMG PART NUMBER INDICATED. ACTUAL DMG PART NUMBER IS DRAWING NUMBER WITHOUT THE "-ENV" SUFFIX.			A	NTS
			POSTING	
			CAD P/N	K11-ENV
			DWG. NO.	K11-ENV
			SHEET	OF
			1	1
			REV.	1



DANIELS MANUFACTURING CORP.  
ORLANDO, FLORIDA  
CASE 11851