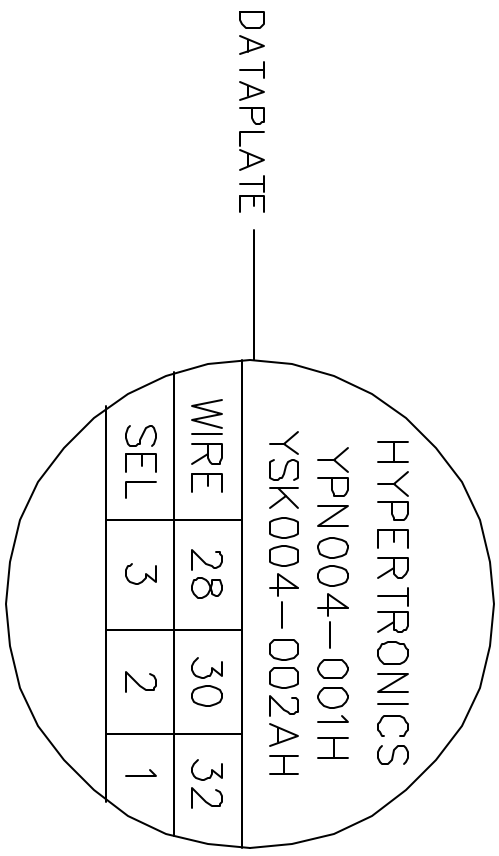
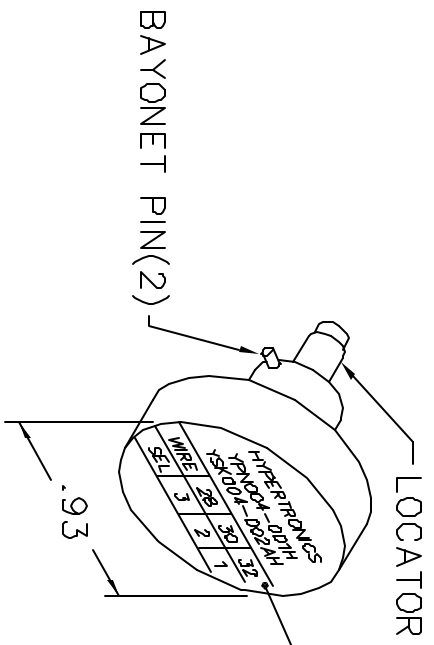
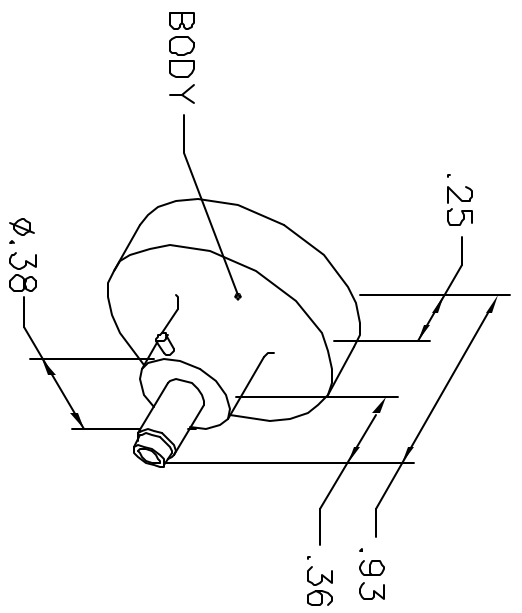


REVISIONS				
REV. SYM.	E.C.D. NUMBER	DESCRIPTION	BY DATE	APP'D DATE
1		ORIGINAL RELEASE	ED 9-5-96	DD 9-5-96

**UNCONTROLLED DOCUMENT  
WILL NOT BE UPDATED**



NOTE: FOR USE WITH DANIELS CRIMP TOOLS  
ACCOMMODATING "K" SERIES POSITIONNERS

LOCATOR	
HOLE DIMENSIONS	ADDITIONAL FEATURES
∅.031 ∇ .58 MIN.	└┘ ∅.059 ∇ .352

**RESTRICTED & CONFIDENTIAL**

CONFIDENTIAL PROPERTY OF DANIELS MANUFACTURING CORP. NOT TO BE DISCLOSED TO OTHERS, REPRODUCED OR USED FOR ANY OTHER PURPOSE, EXCEPT AS AUTHORIZED IN WRITING BY DANIELS MANUFACTURING. MUST BE RETURNED TO DANIELS MANUFACTURING CORP. ON COMPLETION OF ORDER OR OTHER PURPOSE FOR WHICH LENT.

DO NOT SCALE DRAWING

DRNL	ED	DATE
CHK'D.	DD	DATE
APP'D.		DATE
APP'D.		DATE



DANIELS MANUFACTURING CORP.  
ORLANDO, FLORIDA  
CAGE 11851

TITLE  
ENVELOPE DRAWING  
POSITIONER

WHERE USED: AFMB

SIZE	SCALE	CAD P/N	SHEET	OF
A	NTS	K1170-ENV	1	1
POSTING		DWG NO.		REV.
		K1170-ENV		1