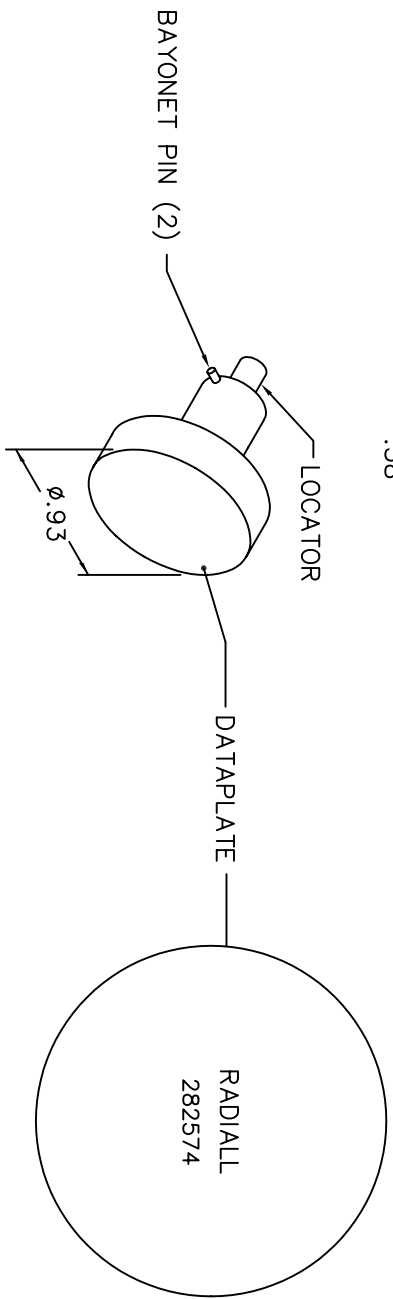
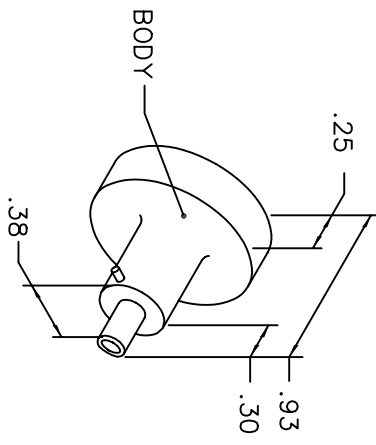


REVISIONS				
REV. SYM.	E.C.O. NUMBER	DESCRIPTION	BY DATE	APP'D. DATE
1		ORIGINAL RELEASE	M. CARRERO 4/5/96	DE 4/96

**UNCONTROLLED DOCUMENT  
WILL NOT BE UPDATED**



NOTE: FOR USE WITH DANIELS CRIMP TOOLS  
ACCOMMODATING "K" SERIES POSITIONERS

HOLE DIA.	REMARKS
∅.030	□ ∅.136
±.520 MIN.	±.101 (TO CENTER INSERT)

RESTRICTED & CONFIDENTIAL		MATERIAL		ITEM		PART NO.		QTY.		DESCRIPTION/REMARKS	
CONFIDENTIAL PROPERTY OF DANIELS MANUFACTURING CORP. NOT TO BE DISCLOSED TO OTHERS, REPRODUCED OR USED FOR ANY OTHER PURPOSE, EXCEPT AS AUTHORIZED IN WRITING BY DANIELS MANUFACTURING. MUST BE RETURNED TO DANIELS MANUFACTURING CORP. ON COMPLETION OF ORDER OR OTHER PURPOSE FOR WHICH SENT.		HEAT TREAT  FINISH		DBN. M. CARRERO DATE 4/5/96		DE DATE 4/96		<b>D/MC</b> DANIELS MANUFACTURING CORP. ORLANDO, FLORIDA CAGE 11851		ENVELOPE DRAWING POSITIONNER	
				THIS DRAWING IS AN OUTLINE DRAWING OF THE RESPECTIVE INDICATED PART NUMBER. DMC PART NUMBER IS DRAWING NUMBER WITHOUT THE "-ENV" SUFFIX.		NOTE: WHERE USED: AFM8		SIZE B SCALE NTS POSTING		CAD FILE NO. K1139-ENV DWG. NO. K1139-ENV	
DO NOT SCALE DRAWING											