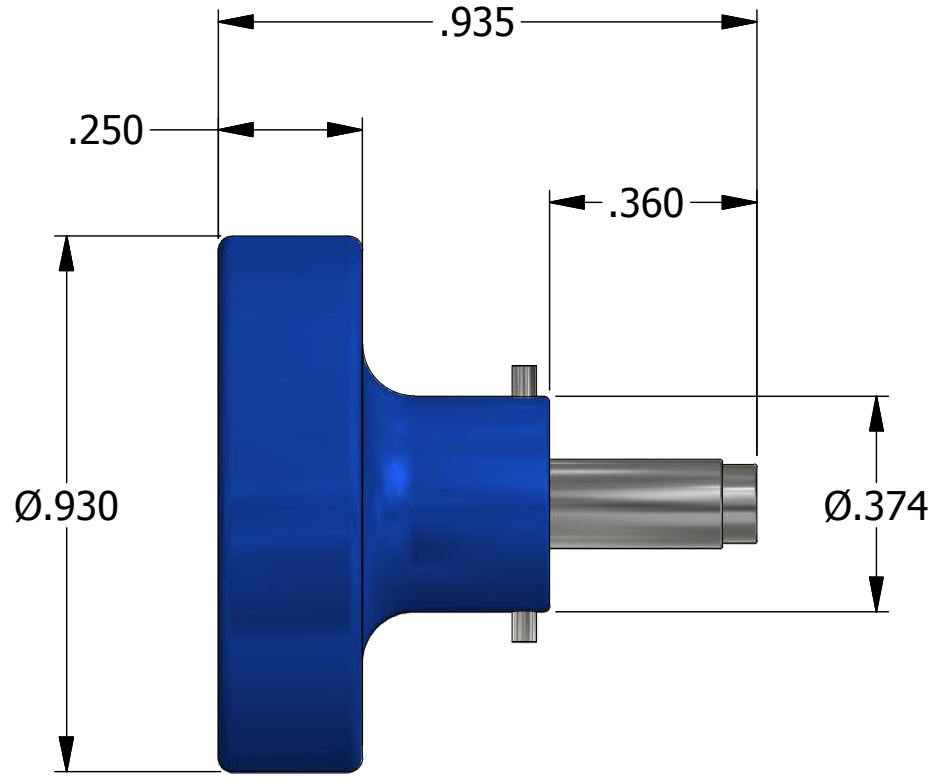
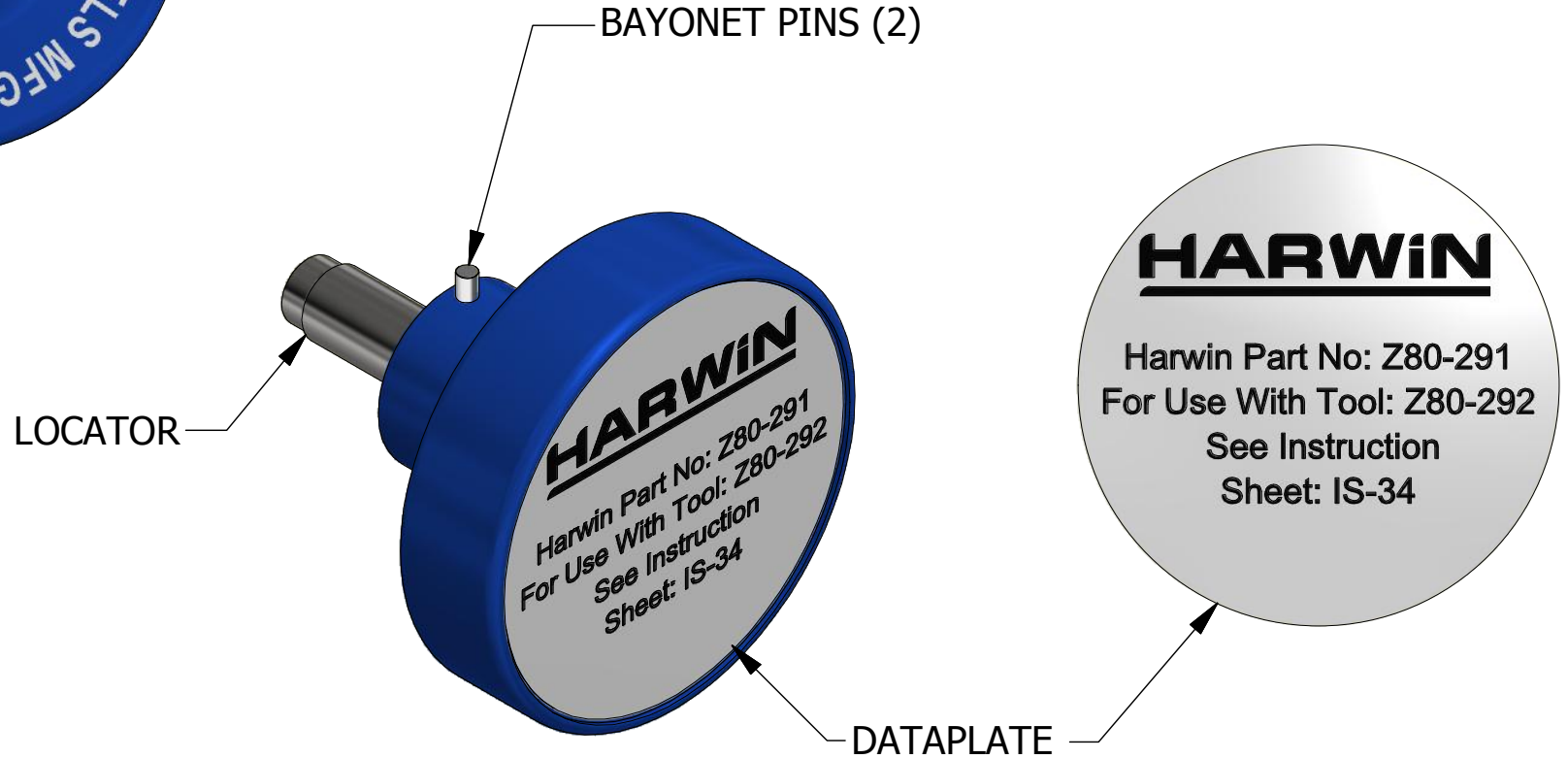


REVISIONS						
REV	ECO NO.	DESCRIPTION	BY	DATE	APP'D BY	DATE
1		ORIGINAL RELEASE	M. CARRERO	4/10/1996	DE	4/10/1996
2	24052	DATAPLATE CHANGE	TonyD	11/16/2015		



**UNCONTROLLED DOCUMENT
WILL NOT BE UPDATED**
DIMENSIONS IN INCHES - UNLESS OTHERWISE SPECIFIED



LOCATOR	
HOLE DIMENSIONS	ADDITIONAL FEATURES
Ø.032 ▽THRU	└┘Ø.052 ▽.004

MATERIAL	ITEM	PART NO.	QTY.	DESCRIPTION / REMARKS												
N/A	DRN. AAM CHK'D.	DATE 3/29/1995 DATE		DMC DANIELS MANUFACTURING CORP. ORLANDO, FLORIDA CAGE 11851												
RESTRICTED & CONFIDENTIAL CONFIDENTIAL PROPERTY OF DANIELS MANUFACTURING CORP. NOT TO BE DISCLOSED TO OTHERS. REPRODUCTION OR USED FOR ANY OTHER PURPOSE EXCEPT AS AUTHORIZED IN WRITING BY DANIELS MANUFACTURING. MUST BE RETURNED TO DANIELS MANUFACTURING CORP. ON COMPLETION OF ORDER OR PURPOSES FOR WHICH LENT.		HEAT TREAT	N/A	NOTE: THIS DRAWING IS AN OUTLINE DRAWING OF THE RESPECTIVE DMC PART NUMBER INDICATED. ACTUAL DMC PART NUMBER IS CAD PART NUMBER WITHOUT THE "-ENV" SUFFIX POSITIONER ENVELOPE DRAWING WHERE USED: MH800 <table border="1"> <tr> <td>SIZE</td> <td>SCALE</td> <td>CAD P/N</td> <td>SHEET</td> </tr> <tr> <td>B</td> <td>3 : 1</td> <td>K1131-ENV</td> <td>1 OF 1</td> </tr> <tr> <td colspan="3">DWG. NO. K1131</td> <td>REV. 2</td> </tr> </table>	SIZE	SCALE	CAD P/N	SHEET	B	3 : 1	K1131-ENV	1 OF 1	DWG. NO. K1131			REV. 2
SIZE	SCALE	CAD P/N	SHEET													
B	3 : 1	K1131-ENV	1 OF 1													
DWG. NO. K1131			REV. 2													
CREATED FROM AN INVENTOR MODEL. CHANGES MUST BE REFLECTED IN THE 3D PART		FINISH	N/A													
DO NOT SCALE DRAWING																