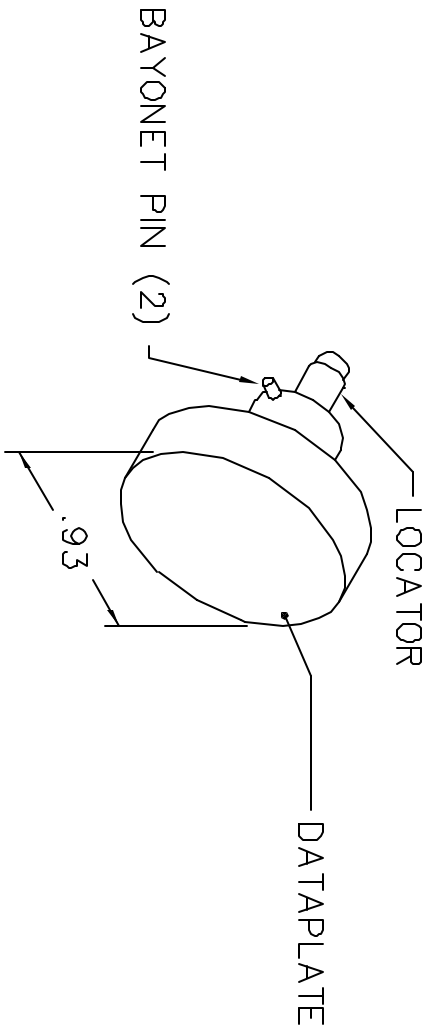
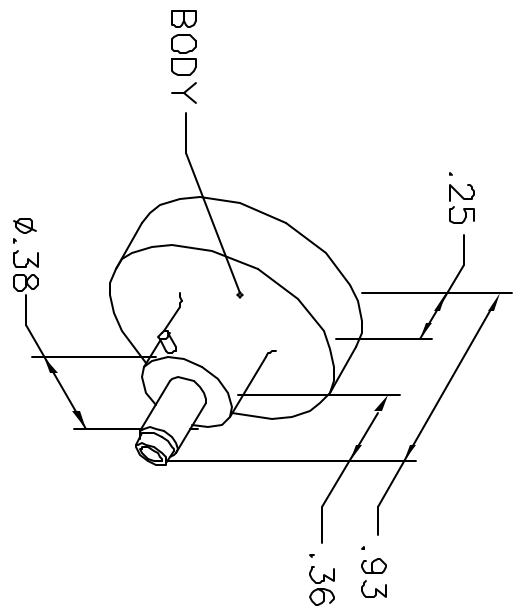


REVISIONS				
REV. SYM.	E.C.O. NUMBER	DESCRIPTION	BY DATE	APP'D DATE
1		ORIGINAL RELEASE	JMU 6/8/04	RRR 6/8/04

**UNCONTROLLED DOCUMENT  
WILL NOT BE UPDATED**



JAEGER 76711200			
Section du fil en mm	2	3	4
Calibre USA (jauge AWG)	22	24	26
Position du sélecteur	5	4	3
76721111			

NOTE: FOR USE WITH DANIELS CRIMP TOOL, AFM8.

LOCATOR	ADDITIONAL FEATURES
HOLE DIMENSIONS	
Ø.073 ±.465	

**RESTRICTED & CONFIDENTIAL**

CONFIDENTIAL PROPERTY OF DANIELS MANUFACTURING CORP. NOT TO BE DISCLOSED TO OTHERS, REPRODUCED OR USED FOR ANY OTHER PURPOSE, EXCEPT AS AUTHORIZED IN WRITING BY DANIELS MANUFACTURING. MUST BE RETURNED TO DANIELS MANUFACTURING CORP. ON COMPLETION OF ORDER OR OTHER PURPOSE FOR WHICH LENT.

DO NOT SCALE DRAWING

DRN. J. JOYCE	DATE 6/8/04	<b>DMC</b> DANIELS MANUFACTURING CORP. ORLANDO, FLORIDA CAGE 11851	ENVELOPE DRAWING POSITIONER
CHK'D. RRR	DATE 6/8/04		
APP'D. DATE	DATE		
NOTE: THIS DRAWING IS AN OUTLINE DRAWING OF THE RESPECTIVE DIMC PART NUMBER INDICATED. ACTUAL DIMC PART NUMBER IS DRAWING NUMBER WITHOUT THE "-ENV" SUFFIX.		WHERE USED:	
SIZE A	SCALE NTS	GAD P/N K1085-ENV	SHEET 1 OF 1
POSTING		DWG. NO. K1085-ENV	REV. 1