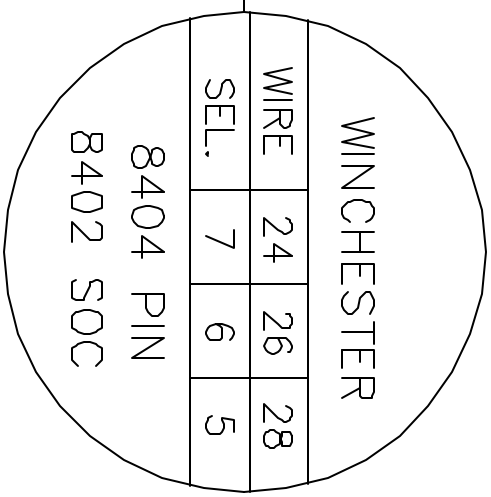
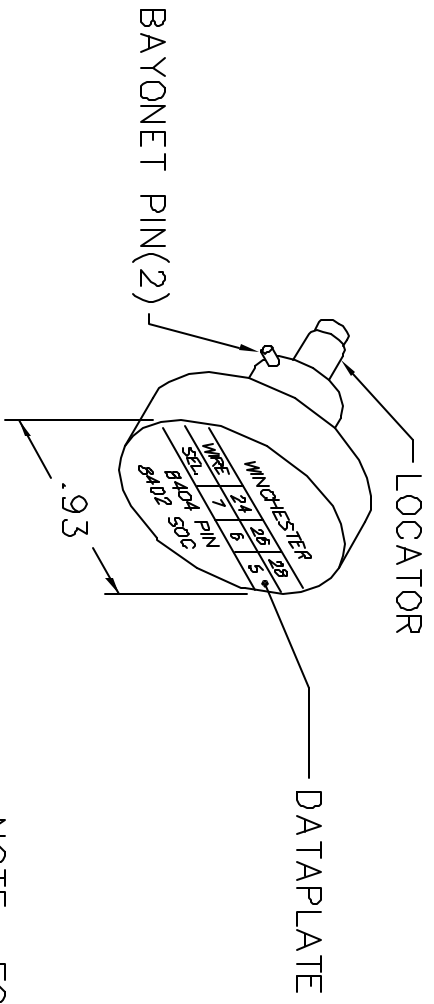
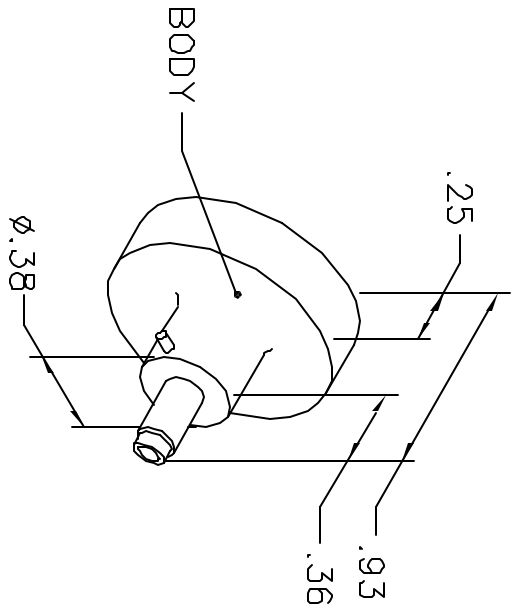


REVISIONS				
REV. SYM.	E.C.O. NUMBER	DESCRIPTION	BY DATE	APP'D DATE
1		ORIGINAL RELEASE	AAM 12-6-01	RRR 12-6-01

**UNCONTROLLED DOCUMENT
WILL NOT BE UPDATED**



NOTE: FOR USE WITH DANIELS CRIMP TOOLS
ACCOMMODATING "K" SERIES POSITIONNERS

LOCATOR	ADDITIONAL FEATURES
HOLE DIMENSIONS	∅.046 ∇.410
	┌└┐ ∅.081 ∇.390

RESTRICTED & CONFIDENTIAL

CONFIDENTIAL PROPERTY OF DANIELS MANUFACTURING CORP. NOT TO BE DISCLOSED TO OTHERS, REPRODUCED OR USED FOR ANY OTHER PURPOSE, EXCEPT AS AUTHORIZED IN WRITING, BY DANIELS MANUFACTURING. MUST BE RETURNED TO DANIELS MANUFACTURING CORP. ON COMPLETION OF ORDER OR OTHER PURPOSE FOR WHICH LENT.

DO NOT SCALE DRAWING

DRN. A. MOO-YOUNG	DATE 12-6-01
CHK'D. RRR	DATE 12-6-01
APP'D.	DATE
APP'D.	DATE

DANIELS MANUFACTURING CORP.
ORLANDO, FLORIDA
CAGE 11851

TITLE: ENVELOPE DRAWING POSITIONNER

WHERE USED: AFMB

SIZE A	SCALE NTS	CAD P/N K100-ENV	SHEET 1 OF 1
POSTING		P/N K100-ENV	REV. 1