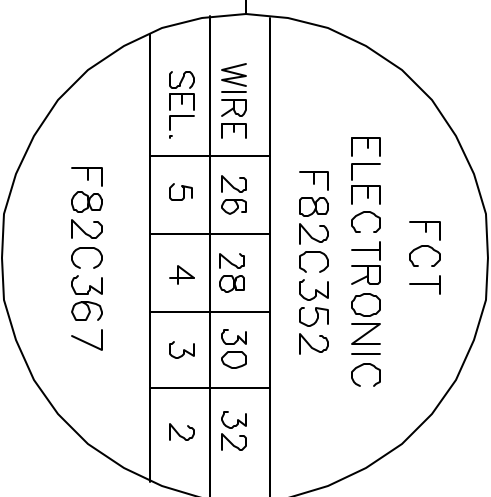
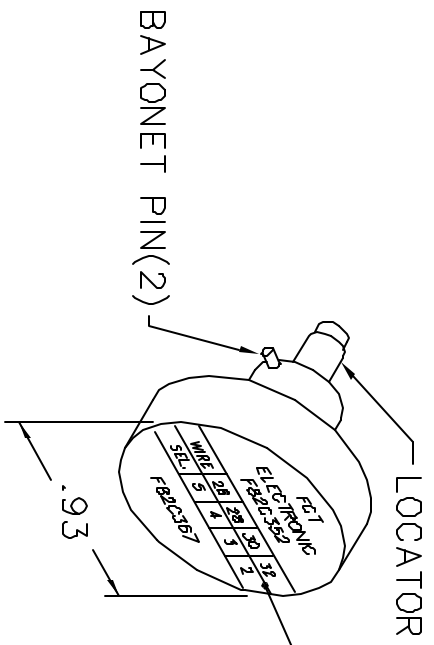
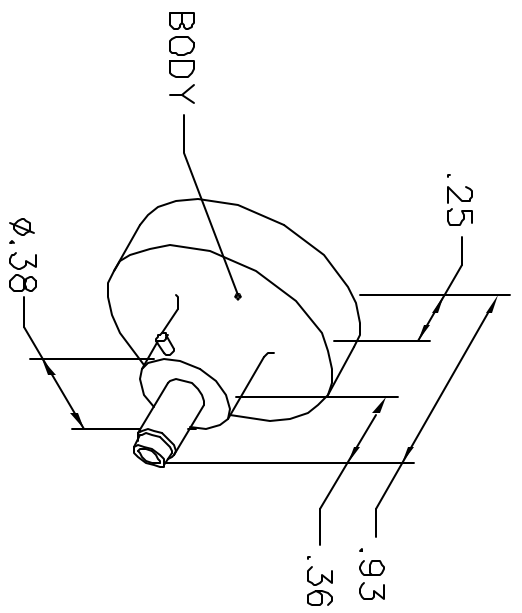


REVISIONS				
REV. SYM.	E.C.D. NUMBER	DESCRIPTION	BY DATE	APP'D DATE
2		REDRAWN NO CHANGES	AAM 2-16-99	RRR 2-16-99

**UNCONTROLLED DOCUMENT
WILL NOT BE UPDATED**



NOTE: FOR USE WITH DANIELS CRIMP TOOLS
ACCOMMODATING "K" SERIES POSITIONNERS

LOCATOR	
HOLE DIMENSIONS	ADDITIONAL FEATURES
∅.043 ∇.494	┌┐∅.070 ∇.461

RESTRICTED & CONFIDENTIAL

CONFIDENTIAL PROPERTY OF DANIELS MANUFACTURING CORP. NOT TO BE DISCLOSED TO OTHERS, REPRODUCED OR USED FOR ANY OTHER PURPOSE, EXCEPT AS AUTHORIZED IN WRITING BY DANIELS MANUFACTURING. MUST BE RETURNED TO DANIELS MANUFACTURING CORP. ON COMPLETION OF ORDER OR OTHER PURPOSE FOR WHICH LENT.

DO NOT SCALE DRAWING

DRN. A. MOO-YOUNG	DATE 2-16-99
CHK'D. RRR	DATE 2-16-99
APP'D.	DATE
APP'D.	DATE

DMO
DANIELS MANUFACTURING CORP.
ORLANDO, FLORIDA
CAGE 11851

TITLE
ENVELOPE DRAWING
POSITIONER

WHERE USED: AFMB

SIZE A	SCALE NTS	CAD P/N K1003-ENV	SHEET 1 OF 1
POSTING		P/N K1003-ENV	REV. 2