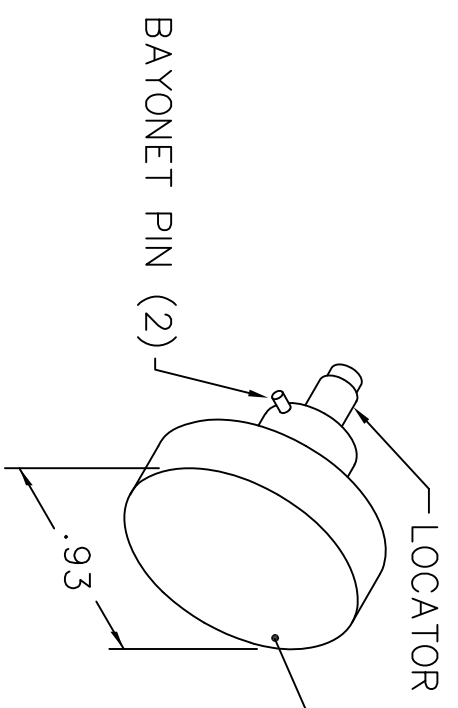
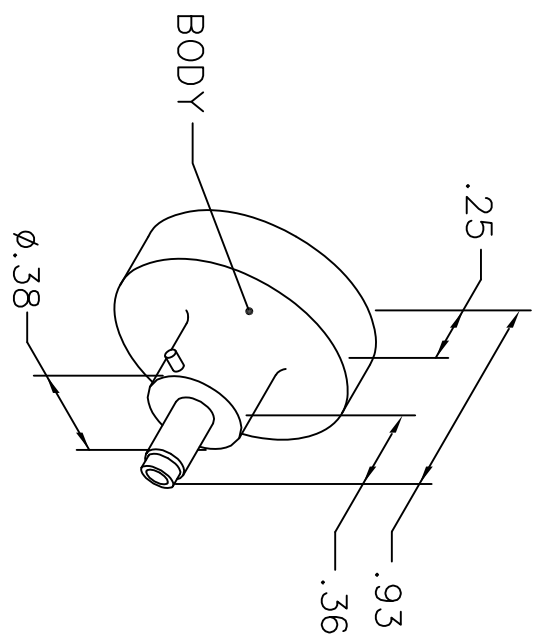


REVISIONS				
REV. SYM.	E.C.O. NUMBER	DESCRIPTION	BY DATE	APP'D DATE
1		ORIGINAL RELEASE	AAM 9-17-07	RRR 9-17-07

**UNCONTROLLED DOCUMENT
WILL NOT BE UPDATED**



JAEGERMEISTER WL 492000B			
WIRE	24	26	28
SEL.	4	3	2

NOTE: FOR USE WITH DANIELS CRIMP TOOLS
ACCOMMODATING "K" SERIES POSITIONERS

LOCATOR	
HOLE DIMENSIONS	ADDITIONAL FEATURES
∅.033	┌ ∅.051
∇.58 MIN.	∇.23
	┌ ∅.078
	∇.155


RESTRICTED & CONFIDENTIAL

CONFIDENTIAL PROPERTY OF DANIELS MANUFACTURING CORP. NOT TO BE DISCLOSED TO OTHERS, REPRODUCED OR USED FOR ANY OTHER PURPOSE, EXCEPT AS AUTHORIZED IN WRITING BY DANIELS MANUFACTURING. MUST BE RETURNED TO DANIELS MANUFACTURING CORP. ON COMPLETION OF ORDER OR OTHER PURPOSE FOR WHICH LENT.

DO NOT SCALE DRAWING

DRN.	J. JOYCE	DATE	9-17-07
CHK'D.	RRR	DATE	9-17-07
APP'D.		DATE	
APP'D.		DATE	

NOTE: THIS DRAWING IS AN OUTLINE DRAWING OF THE RESPECTIVE DMC PART NUMBER INDICATED. ACTUAL DMC PART NUMBER IS DRAWING NUMBER WITHOUT THE "-ENV" SUFFIX.

 DANIELS MANUFACTURING CORP. ORLANDO, FLORIDA CAGE 11851		TITLE POSITIONER ENVELOPE DRAWING	
WHERE USED: AFMB		CAD P/N	K1002-ENV
SIZE	A	SCALE	NTS
POSTING		DWG. NO.	K1002-ENV
SHEET	1	OF	1
REV.	1		