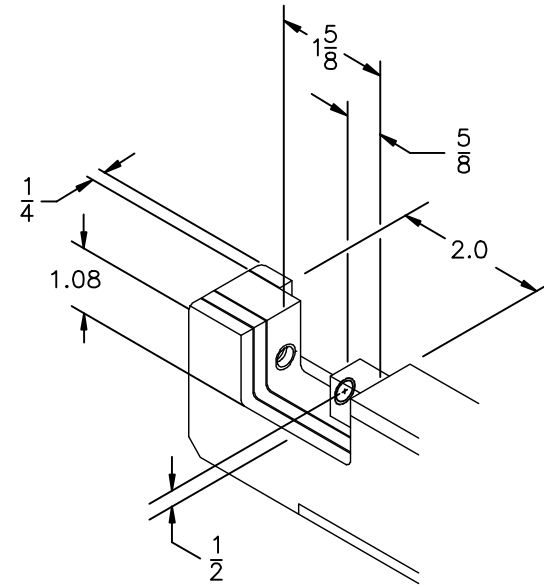
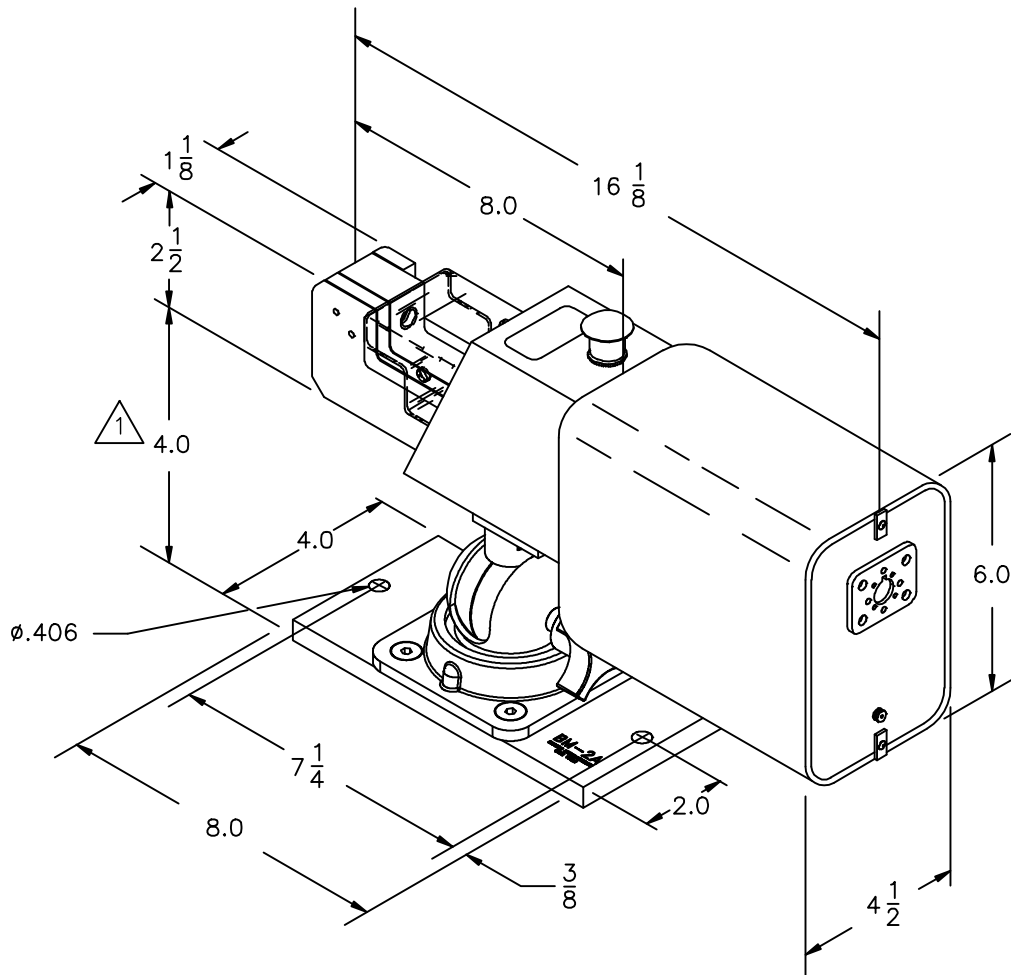


REVISIONS				
REV. SYM.	E.C.O. NUMBER	DESCRIPTION	BY DATE	APP'D DATE
2		FITTING REPLACED WITH CONNECTOR	KMS 6-2-87	BC 6-87
3	21631	NEW BENCH MOUNT, BM-2A, SHOWN	TD 3-4-10	



THROAT DIMENSIONS



**UNCONTROLLED DOCUMENT
WILL NOT BE UPDATED**

2. SOME DETAILS NOT SHOWN TO CLARIFY THROAT DIMENSIONS.
1. DIMENSION FROM BOTTOM OF BASE MOUNT.

NOTES:

RESTRICTED & CONFIDENTIAL		MATERIAL	ITEM	PART NO.	QTY.	DESCRIPTION/REMARKS				
CONFIDENTIAL PROPERTY OF DANIELS MANUFACTURING CORP. NOT TO BE DISCLOSED TO OTHERS, REPRODUCED OR USED FOR ANY OTHER PURPOSE, EXCEPT AS AUTHORIZED IN WRITING BY DANIELS MANUFACTURING. MUST BE RETURNED TO DANIELS MANUFACTURING CORP. ON COMPLETION OF ORDER OR OTHER PURPOSE FOR WHICH LENT.		HEAT TREAT	DRN.	MS	DATE	DMC DANIELS MANUFACTURING CORP. ORLANDO, FLORIDA CAGE 11851 TITLE HX23 PNEUMATIC CRIMP TOOL ENVELOPE DRAWING				
			CHK'D.	LME	DATE					
			ED	EN	DATE					
			APP'D.		DATE					
DO NOT SCALE DRAWING		FINISH	NOTE:			WHERE USED:				
			THIS DRAWING IS AN OUTLINE DRAWING OF THE RESPECTIVE DMC PART NUMBER INDICATED. ACTUAL DMC PART NUMBER IS DRAWING NUMBER WITHOUT THE "-ENV" SUFFIX.			SIZE	SCALE	CAD P/N	SHEET	OF
			B	NTS	HX23-ENV	1	1			
			POSTING	DWG. NO.	HX23-ENV	REV.	3			