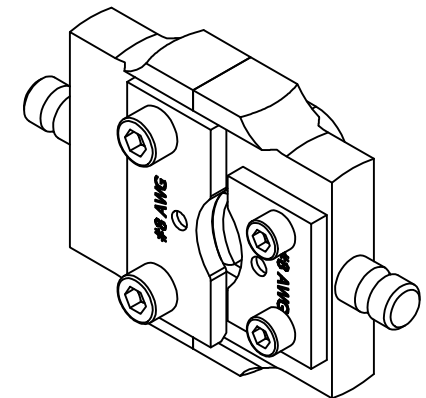
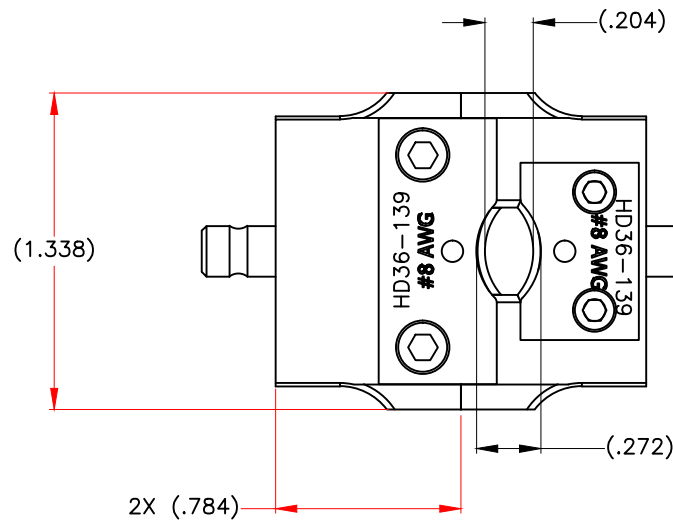
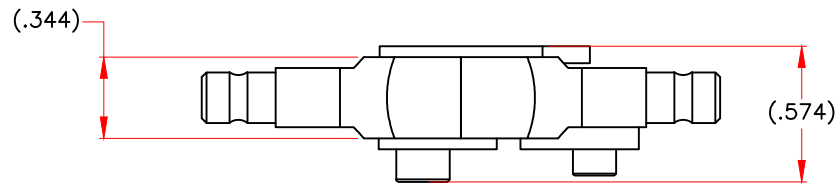


This document is for reference only. Users must assure they are using the correct revision.

REVISIONS				
REV SYM	ECO NUMBER	DESCRIPTION	BY DATE	APP'D DATE
1		ORIGINAL RELEASE	K. KOONS 8.1.07	
2		REVISED NOTES 1 & 2	K. KOONS 10.26.10	



ISOMETRIC VIEW

**UNCONTROLLED DOCUMENT  
WILL NOT BE UPDATED**

2. USE WITH DMC TOOL FRAMES HD36, HDE36, HDE36B, OR EHCD36.  
1. FUNCTIONAL EQUIVALENT TO AMP DIE SETS 1490597-1 & 47820.

NOTES:

<b>RESTRICTED &amp; CONFIDENTIAL</b> CONFIDENTIAL PROPERTY OF DANIELS MANUFACTURING CORP. NOT TO BE DISCLOSED TO OTHERS, REPRODUCED OR USED FOR ANY OTHER PURPOSE EXCEPT AS AUTHORIZED IN WRITING BY DANIELS MANUFACTURING. MUST BE RETURNED TO DANIELS MANUFACTURING CORP. ON COMPLETION OF ORDER OR OTHER PURPOSE FOR WHICH LENT.		MATERIAL	ITEM	PART NO.	QTY.	DESCRIPTION/REMARKS
CREATED FROM AN INVENTOR MODEL. CHANGES MUST BE REFLECTED IN THE 3D PART		HEAT TREAT	DRN. Kirk C Koons	DATE 8.1.07		DANIELS MANUFACTURING CORP. ORLANDO, FLORIDA CAGE 11851  DIE SET
DO NOT SCALE DRAWING		FINISH	CHK'D.	DATE		
			APP'D.	DATE		TITLE
			APP'D.	DATE		WHERE USED:
			NOTE: THIS DRAWING IS AN OUTLINE DRAWING OF THE RESPECTIVE DMC PART NUMBER INDICATED. ACTUAL DMC PART NUMBER IS DRAWING NUMBER WITHOUT THE "-ENV" SUFFIX.		SIZE B	SCALE NTS
			POSTING	DWG. NO. HD36-139-ENV	SHEET 1	OF 1
					REV. 2	