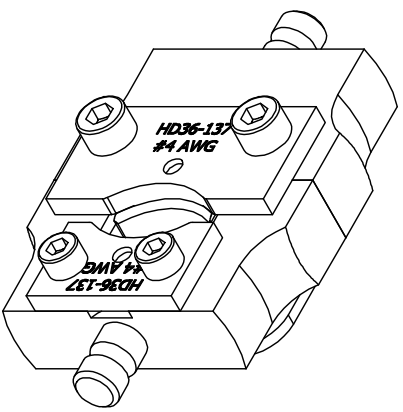
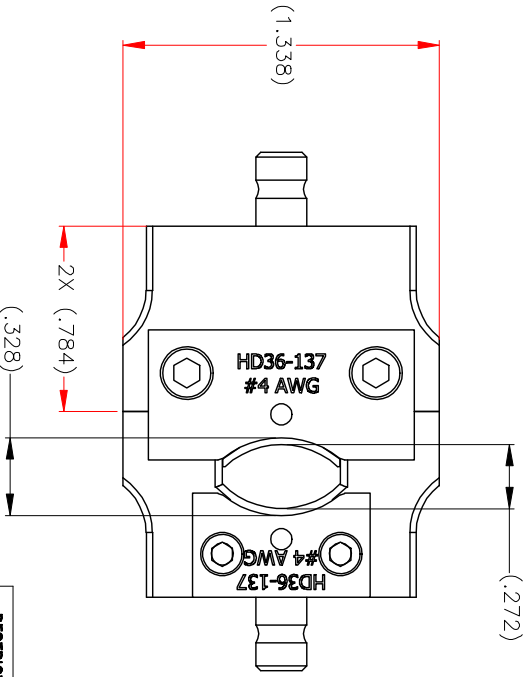
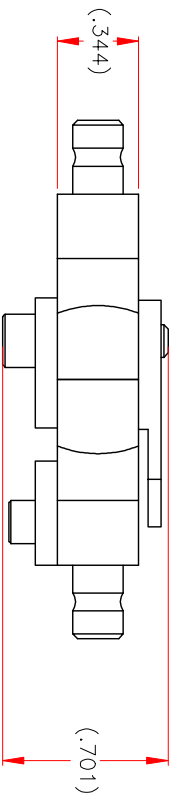


REV		ECD		REVISIONS		REV	APP'D
STW	NUMBER	NUMBER	DESCRIPTION	DATE	DATE	DATE	DATE
1			ORIGINAL RELEASE	K. KOONS	8.1.07		



ISOMETRIC VIEW

**UNCONTROLLED DOCUMENT
WILL NOT BE UPDATED**

RESTRICTED & CONFIDENTIAL		MATERIAL		ITEM		PART NO.		QTY.		DESCRIPTION/REMARKS	
CONFIDENTIAL PROPERTY OF DANIELS MANUFACTURING CORP. REPRODUCED OR USED FOR ANY OTHER PURPOSE EXCEPT AS AUTHORIZED IN WRITING BY DANIELS MANUFACTURING CORP. ALL RIGHTS RESERVED. THIS DRAWING IS AN OUTLINE DRAWING OF THE RESPECTIVE DMC PART NUMBER INDICATED. USER'S DRAWING NUMBER WITHOUT THE "-ENV" SUFFIX.		HEAT TREAT		DRG. NO.	DATE	DRG. NO.	DATE	DMC DANIELS MANUFACTURING CORP. ORLANDO, FLORIDA CAGE 11851			
		FINISH		APP'D.	DATE	APP'D.	DATE				
CREATED FROM AN INVENTOR MODEL. CHANGES MUST BE REFLECTED IN THE 3D PART DO NOT SCALE DRAWING				NOTE: THIS DRAWING IS AN OUTLINE DRAWING OF THE RESPECTIVE DMC PART NUMBER INDICATED. USER'S DRAWING NUMBER WITHOUT THE "-ENV" SUFFIX.		WHERE USED: SCALE B POSTING		CAD P/N HD36-137-ENV		SHEET 1 OF 1 REV 1	

1. FUNCTIONAL EQUIVALENT TO AMP 1490599-1.

NOTES: