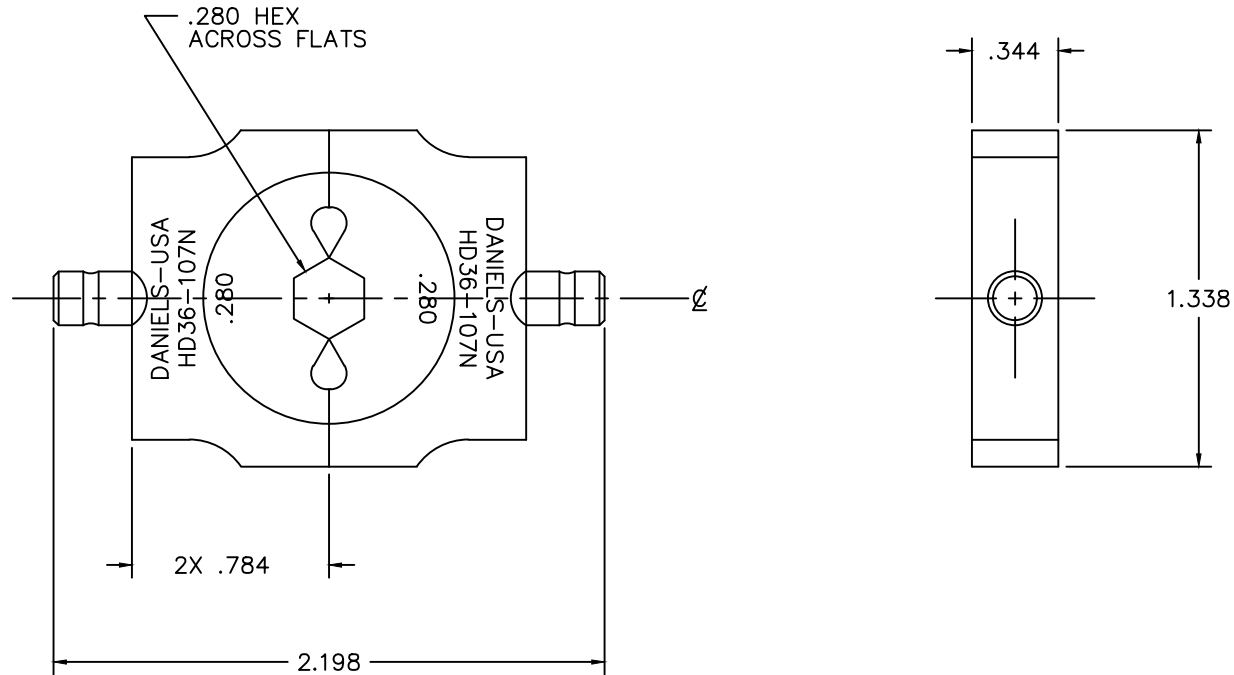



REVISIONS				
REV. SYM.	E.C.O. NUMBER	DESCRIPTION	BY DATE	APP'D DATE
1		ORIGINAL RELEASE	ED 3/25/96	DE 3/96



**UNCONTROLLED DOCUMENT
WILL NOT BE UPDATED**
DIMENSIONS IN INCHES - UNLESS OTHERWISE SPECIFIED

RESTRICTED & CONFIDENTIAL		MATERIAL		ITEM	PART NO.	QTY.	DESCRIPTION/REMARKS			
CONFIDENTIAL PROPERTY OF DANIELS MANUFACTURING CORP. NOT TO BE DISCLOSED TO OTHERS, REPRODUCED OR USED FOR ANY OTHER PURPOSE, EXCEPT AS AUTHORIZED IN WRITING BY DANIELS MANUFACTURING. MUST BE RETURNED TO DANIELS MANUFACTURING CORP. ON COMPLETION OF ORDER OR OTHER PURPOSE FOR WHICH LENT.		HEAT TREAT		DRN.	E. DIAZ	DATE 3-25-96	 DANIELS MANUFACTURING CORP. ORLANDO, FLORIDA CAGE 11851			
				CHK'D.	DE	DATE 3-96				
				DO NOT SCALE DRAWING		FINISH		APP'D.		DATE
APP'D.		DATE	DIE SET ENVELOPE DRAWING							
NOTE:		WHERE USED:								
				THIS DRAWING IS AN OUTLINE DRAWING OF THE RESPECTIVE DMC PART NUMBER INDICATED. ACTUAL DMC PART NUMBER IS DRAWING NUMBER WITHOUT THE *-ENV* SUFFIX.		SIZE B	SCALE 2X	CAD P/N HD36-107N-ENV	SHEET 1	OF 1
						POSTING	DWG. NO. HD36-107N-ENV	REV. 1		