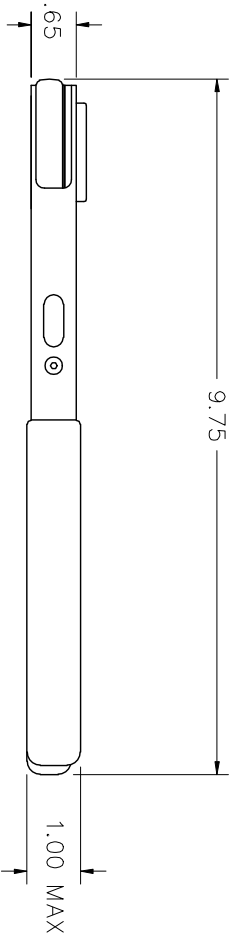
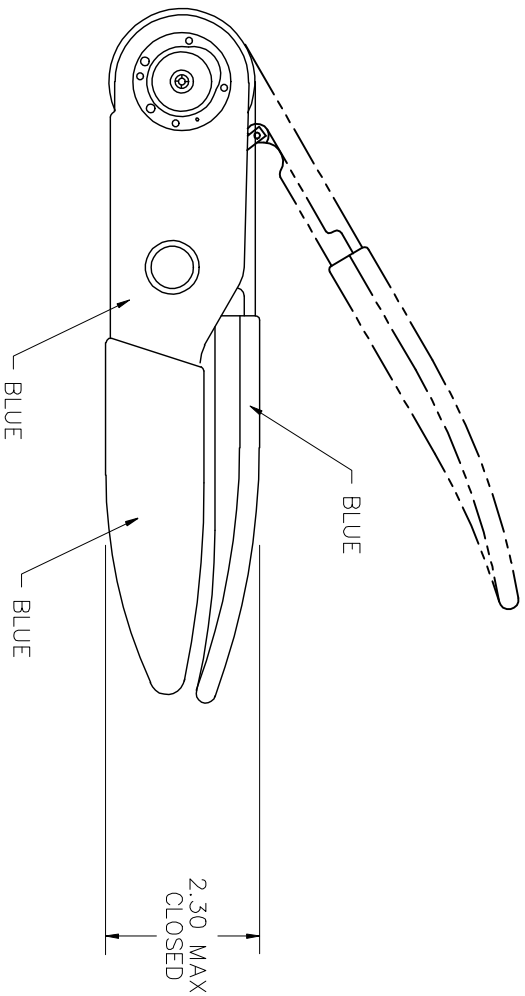
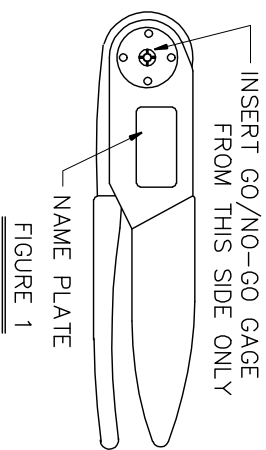


REVISIONS				
REV. SYM.	E.C.O. NUMBER	DESCRIPTION	BY DATE	APP'D DATE
1		ORIGINAL RELEASE	AAM 7-16-99	RRR 7-16-99



- USE GAGE P/N G925
- GAGING DIMENSIONS (FIGURE 1):  
GO .042 / NO-GO .046

NOTES:



**UNCONTROLLED DOCUMENT  
WILL NOT BE UPDATED**

**RESTRICTED & CONFIDENTIAL**  
 CONFIDENTIAL PROPERTY OF DANIELS MANUFACTURING CORP. NOT TO BE DISCLOSED TO OTHERS, REPRODUCED OR USED FOR ANY OTHER PURPOSE, EXCEPT AS AUTHORIZED IN WRITING BY DANIELS MANUFACTURING. MUST BE RETURNED TO DANIELS MANUFACTURING ON COMPLETION OF ORDER OR OTHER PURPOSE FOR WHICH LENT.

DO NOT SCALE DRAWING

ITEM	PART NO.	QTY.	DESCRIPTION/REMARKS
DRAWN A. MOO-YOUNG	DATE 7-16-99		
CHK'D. RRR	DATE 7-16-99		
APP'D.	DATE		
APP'D.	DATE		
<p>NOTE: THIS DRAWING IS AN OUTLINE DRAWING. THE RESPECTIVE DRAWING PART NUMBER INDICATED ACTUAL DWG PART NUMBER WITHOUT THE "-ENV" SUFFIX.</p>			
TITLE		WHERE USED:	
<p><b>DMC</b>            DANIELS MANUFACTURING CORP.            ORLANDO, FLORIDA            GAGE 11851</p>		ENVLOPE DRAWING	
		CIRCULAR CRIMP TOOL	
SIZE B	SCALE NTS	CAD P/N GS210-ENV	SHEET OF
POSTING	DWG. NO. GS210-ENV		REV. 1