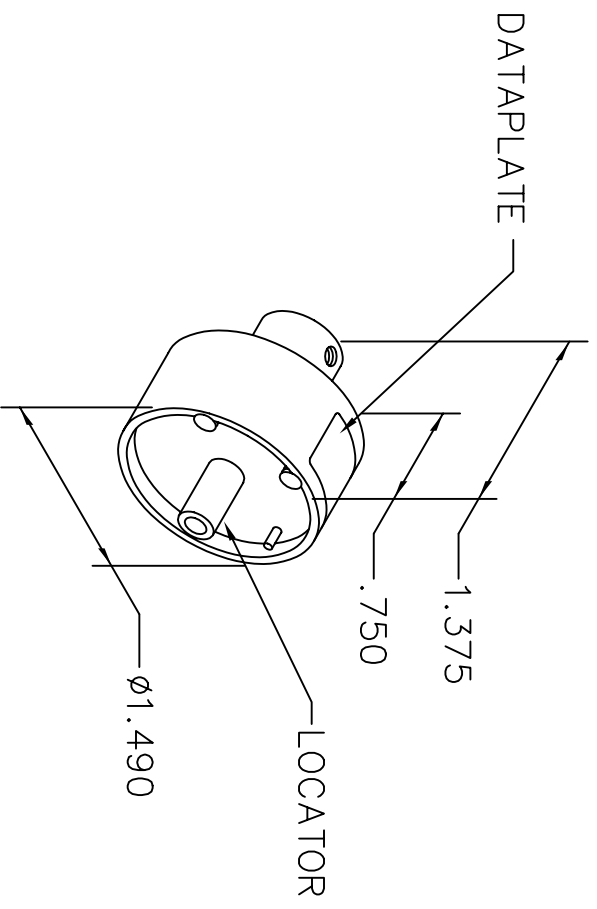


REVISIONS				
REV. SYM.	E.C.O. NUMBER	DESCRIPTION	BY DATE	APP'D DATE
1		ORIGINAL RELEASE	AAM 11-3-99	RRR 11-3-99
2		ADDED SABRITEC P/N	AAM 1-25-00	RRR 1-25-00

**UNCONTROLLED DOCUMENT  
WILL NOT BE UPDATED**




#12 TRIAX INTERIM CONTACT  
 SOCKET CONTACT P/N JN1104S75T  
 SABRITEC P/N 018712-2016  
 USE WITH GS212 TOOL

DATAPLATE

LOCATOR	
HOLE DIMENSIONS	ADDITIONAL FEATURES
∅.040 ∇1.15 MIN.	┌┐∅.082 ∇.020

**RESTRICTED & CONFIDENTIAL**  
 CONFIDENTIAL PROPERTY OF DANIELS MANUFACTURING CORP. NOT TO BE DISCLOSED TO OTHERS, REPRODUCED OR USED FOR ANY OTHER PURPOSE, EXCEPT AS AUTHORIZED IN WRITING BY DANIELS MANUFACTURING. MUST BE RETURNED TO DANIELS MANUFACTURING CORP. ON COMPLETION OF ORDER OR OTHER PURPOSE FOR WHICH LENT.

DO NOT SCALE DRAWING

DRN. A. MOO-YOUNG	DATE 11-3-99	 DANIELS MANUFACTURING CORP. ORLANDO, FLORIDA CAGE 11851	TITLE		
CHK'D. RRR	DATE 11-3-99		ENVELOPE DRAWING SINGLE POSITION HEAD		
APP'D.	DATE		WHERE USED: GS212		
NOTE: THIS DRAWING IS AN OUTLINE DRAWING OF THE RESPECTIVE DMC PART NUMBER INDICATED. ACTUAL DMC PART NUMBER IS DRAWING NUMBER WITHOUT THE "-ENV" SUFFIX.		SIZE A	SCALE NTS	CAD P/N GP1331-ENV	SHEET 1 OF 1
DO NOT SCALE DRAWING		POSTING	DWG. NO. GP1331-ENV	REV. 2	