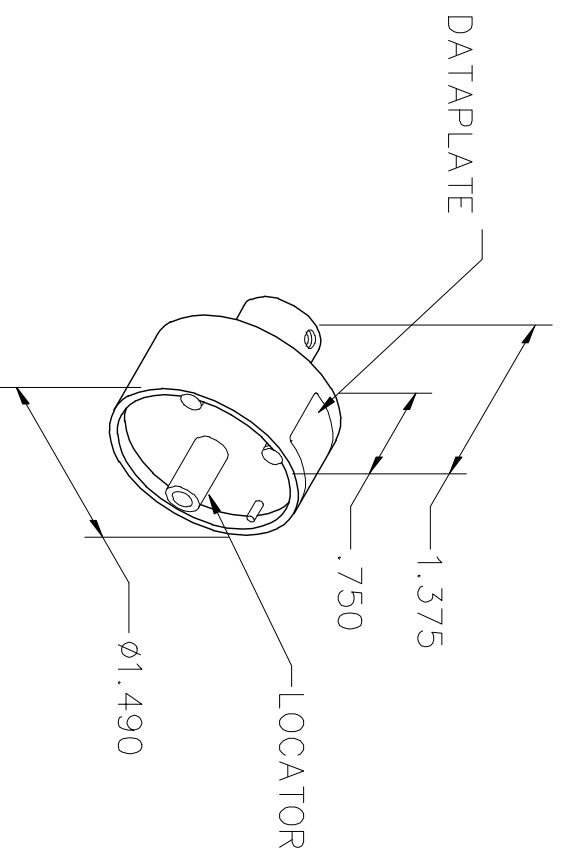


REVISIONS				
REV. SYM.	E.C.O. NUMBER	DESCRIPTION	BY DATE	APP'D DATE
1		ORIGINAL RELEASE	AAM 4-19-99	RRR 4-19-99



AMPHENOL CORPORATION
 21-33656-4 & 21-33655-5 COAXIAL
 CONTACTS SIZE 16 TYPE PT-SE
 USE WITH GS100-1

DATAPLATE

LOCATOR	
HOLE DIMENSIONS	ADDITIONAL FEATURES
∅.118 ↕ 1.14 MIN.	┌┐ ∅.152 ↕ .121

RESTRICTED & CONFIDENTIAL
 CONFIDENTIAL PROPERTY OF DANIELS MANUFACTURING CORP. NOT TO BE DISCLOSED TO OTHERS, REPRODUCED OR USED FOR ANY OTHER PURPOSE, EXCEPT AS AUTHORIZED IN WRITING BY DANIELS MANUFACTURING. MUST BE RETURNED TO DANIELS MANUFACTURING CORP. ON COMPLETION OF ORDER OR OTHER PURPOSE FOR WHICH LENT.

DRN. A.	MOO-YOUNG	DATE	DATE	TITLE	WHERE USED:	CAD P/N	SHEET	OF
CHK'D.	RRR	4-19-99	4-19-99	DMS DANIELS MANUFACTURING CORP. ORLANDO, FLORIDA CAGE 11851	GS100-1 ENVELOPE DRAWING SINGLE POSITION HEAD	GP1256-ENV	1	1
APP'D.		DATE	POSTING				P/N	REV.
APP'D.		DATE						