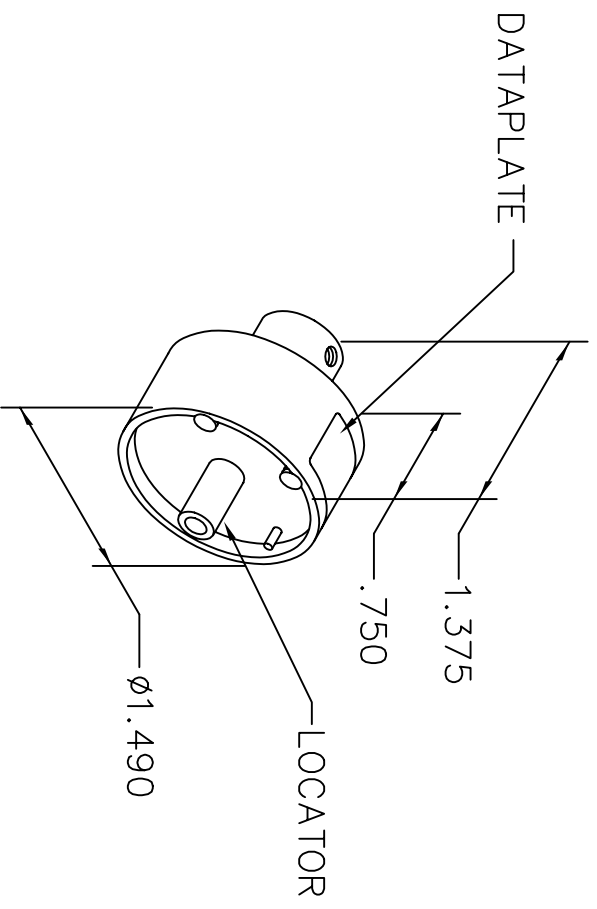


REVISIONS				
REV. SYM.	E.C.O. NUMBER	DESCRIPTION	BY DATE	APP'D DATE
1		ORIGINAL RELEASE	AAM 1-12-00	RRR 1-12-00



AMPHENOL OUTER SOCKET CONTACT  
 FINAL ASSEMBLY 21-33908-3  
 USE WITH GS212 CRIMP TOOL

DATAPLATE

LOCATOR	
HOLE DIMENSIONS	ADDITIONAL FEATURES
∅.046 ∓ 1.14 MIN.	┌┐ ∅.120 ∓ .245


**RESTRICTED & CONFIDENTIAL**

CONFIDENTIAL PROPERTY OF DANIELS MANUFACTURING CORP. NOT TO BE DISCLOSED TO OTHERS, REPRODUCED OR USED FOR ANY OTHER PURPOSE, EXCEPT AS AUTHORIZED IN WRITING BY DANIELS MANUFACTURING. MUST BE RETURNED TO DANIELS MANUFACTURING CORP. ON COMPLETION OF ORDER OR OTHER PURPOSE FOR WHICH LENT.

DO NOT SCALE DRAWING

DRN. A. MOO-YOUNG	DATE 1-12-00
CHK'D. RRR	DATE 1-12-00
APP'D.	DATE
APP'D.	DATE

NOTE:  
 THIS DRAWING IS AN OUTLINE DRAWING OF THE RESPECTIVE DMC PART NUMBER INDICATED. ACTUAL DMC PART NUMBER IS DRAWING NUMBER WITHOUT THE "-ENV" SUFFIX.

 DANIELS MANUFACTURING CORP. ORLANDO, FLORIDA CAGE 11851	
TITLE ENVELOPE DRAWING SINGLE POSITION HEAD	
WHERE USED: GS212	
SIZE A	SCALE NTS
CAD P/N GP1120-ENV	DWG. NO. GP1120-ENV
SHEET 1 OF 1	REV. 1