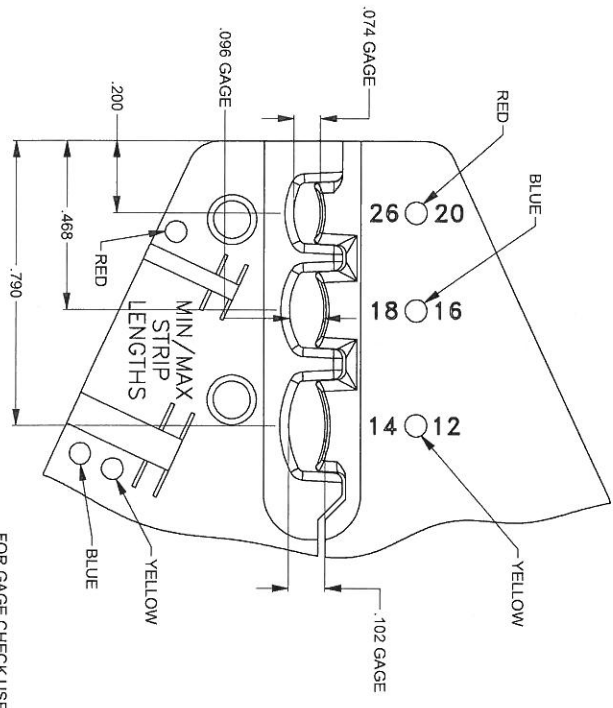
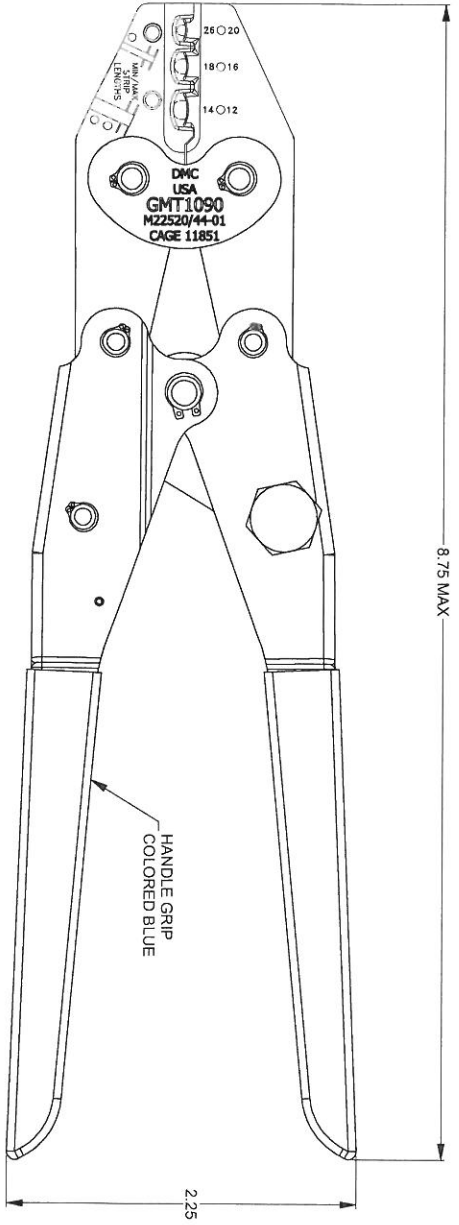
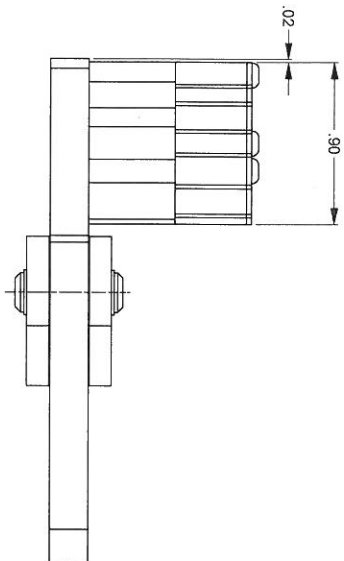
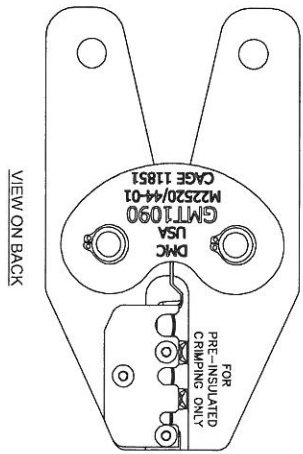


UNCONTROLLED DOCUMENT
WILL NOT BE UPDATED
DIMENSIONS IN INCHES - UNLESS OTHERWISE SPECIFIED



FOR GAGE CHECK USE
DANIELS G1122



REV	ECO	DESCRIPTION	REV	APPD
SYM	NUMBER		DATE	
1		PRELIMINARY	10	
2		GAGING CHANGE	01-08	
3		UPDATED	02-21-10	
4	21963	ORIGINAL RELEASE	12-03-10	
5	22473	LOCATOR NEW SPRING LOADED	04-02-12	
6	22659	QUALITY SHAPE & SIZE CHANGED	05-08-12	
7	22933	LINK MARKING CHANGE	02-14-13	

RESTRICTED & CONFIDENTIAL		MATERIAL		ITEM		PART NO.		QTY		DESCRIPTION/REMARKS	
CONFIDENTIAL - PROPERTY OF DANIELS MANUFACTURING CORP. NOT TO BE REPRODUCED OR TRANSMITTED IN ANY FORM OR BY ANY MEANS, ELECTRONIC OR MECHANICAL, INCLUDING PHOTOCOPYING, RECORDING, OR BY ANY INFORMATION STORAGE AND RETRIEVAL SYSTEM. BY DANIELS MANUFACTURING CORP. FOR THE EXCLUSIVE USE OF THE CUSTOMER. MANUFACTURING CORP. OR CUSTOMER. NO OTHER REPRODUCTION OR USE IS PERMITTED WITHOUT THE WRITTEN PERMISSION OF DANIELS MANUFACTURING CORP.		STEEL		DMC		M22520/44-01		1		CRIMP TOOL ENVELOPE DRAWING	
CREATED FROM AN INVENTOR REFLECTED IN THE 3D PART		FINISH		CAGE		11851		1		DMC PART NUMBER	
DO NOT SCALE DRAWING				NOTE		THIS DRAWING IS AN OUTLINE DRAWING. DIMENSIONS ARE INDICATED IN INCHES UNLESS NOTED OTHERWISE.		1		DMC PART NUMBER	
				DATE		08-08-08		1		CAGE	
				DRAWN		J. Kowalski		1		DMC PART NUMBER	
				CHECKED				1		CAGE	
				DATE				1		DMC PART NUMBER	
				REVISED				1		CAGE	
				DATE				1		DMC PART NUMBER	
				REVISED				1		CAGE	
				DATE				1		DMC PART NUMBER	
				REVISED				1		CAGE	
				DATE				1		DMC PART NUMBER	
				REVISED				1		CAGE	
				DATE				1		DMC PART NUMBER	
				REVISED				1		CAGE	
				DATE				1		DMC PART NUMBER	
				REVISED				1		CAGE	
				DATE				1		DMC PART NUMBER	
				REVISED				1		CAGE	
				DATE				1		DMC PART NUMBER	
				REVISED				1		CAGE	
				DATE				1		DMC PART NUMBER	
				REVISED				1		CAGE	
				DATE				1		DMC PART NUMBER	
				REVISED				1		CAGE	
				DATE				1		DMC PART NUMBER	
				REVISED				1		CAGE	
				DATE				1		DMC PART NUMBER	
				REVISED				1		CAGE	
				DATE				1		DMC PART NUMBER	
				REVISED				1		CAGE	
				DATE				1		DMC PART NUMBER	
				REVISED				1		CAGE	
				DATE				1		DMC PART NUMBER	
				REVISED				1		CAGE	
				DATE				1		DMC PART NUMBER	
				REVISED				1		CAGE	
				DATE				1		DMC PART NUMBER	
				REVISED				1		CAGE	
				DATE				1		DMC PART NUMBER	
				REVISED				1		CAGE	
				DATE				1		DMC PART NUMBER	
				REVISED				1		CAGE	
				DATE				1		DMC PART NUMBER	
				REVISED				1		CAGE	
				DATE				1		DMC PART NUMBER	
				REVISED				1		CAGE	
				DATE				1		DMC PART NUMBER	
				REVISED				1		CAGE	
				DATE				1		DMC PART NUMBER	
				REVISED				1		CAGE	
				DATE				1		DMC PART NUMBER	
				REVISED				1		CAGE	
				DATE				1		DMC PART NUMBER	
				REVISED				1		CAGE	
				DATE				1		DMC PART NUMBER	
				REVISED				1		CAGE	
				DATE				1		DMC PART NUMBER	
				REVISED				1		CAGE	
				DATE				1		DMC PART NUMBER	
				REVISED				1		CAGE	
				DATE				1		DMC PART NUMBER	
				REVISED				1		CAGE	
				DATE				1		DMC PART NUMBER	
				REVISED				1		CAGE	
				DATE				1		DMC PART NUMBER	
				REVISED				1		CAGE	
				DATE				1		DMC PART NUMBER	
				REVISED				1		CAGE	
				DATE				1		DMC PART NUMBER	
				REVISED				1		CAGE	
				DATE				1		DMC PART NUMBER	
				REVISED				1		CAGE	
				DATE				1		DMC PART NUMBER	
				REVISED				1		CAGE	
				DATE				1		DMC PART NUMBER	
				REVISED				1		CAGE	
				DATE				1		DMC PART NUMBER	
				REVISED				1		CAGE	
				DATE				1		DMC PART NUMBER	
				REVISED				1		CAGE	
				DATE				1		DMC PART NUMBER	
				REVISED				1		CAGE	
				DATE				1		DMC PART NUMBER	
				REVISED				1		CAGE	
				DATE				1		DMC PART NUMBER	
				REVISED				1		CAGE	
				DATE				1		DMC PART NUMBER	
				REVISED				1		CAGE	
				DATE				1		DMC PART NUMBER	
				REVISED				1		CAGE	
				DATE				1		DMC PART NUMBER	
				REVISED				1		CAGE	
				DATE				1		DMC PART NUMBER	
				REVISED				1		CAGE	
				DATE				1		DMC PART NUMBER	
				REVISED				1		CAGE	
				DATE				1		DMC PART NUMBER	
				REVISED				1		CAGE	
				DATE				1		DMC PART NUMBER	
				REVISED				1		CAGE	
				DATE				1		DMC PART NUMBER	
				REVISED				1		CAGE	
				DATE				1		DMC PART NUMBER	
				REVISED				1		CAGE	
				DATE				1		DMC PART NUMBER	
				REVISED				1		CAGE	
				DATE				1		DMC PART NUMBER	
				REVISED				1		CAGE	
				DATE				1		DMC PART NUMBER	
				REVISED				1		CAGE	
				DATE				1		DMC PART NUMBER	
				REVISED				1		CAGE	
				DATE				1		DMC PART NUMBER	
				REVISED				1		CAGE	
				DATE				1		DMC PART NUMBER	
				REVISED				1		CAGE	
				DATE				1		DMC PART NUMBER	
				REVISED				1		CAGE	
				DATE				1		DMC PART NUMBER	
				REVISED				1		CAGE	
				DATE				1		DMC PART NUMBER	
				REVISED				1		CAGE	
				DATE				1		DMC PART NUMBER	
				REVISED				1		CAGE	
				DATE				1		DMC PART NUMBER	
				REVISED				1		CAGE	
				DATE				1		DMC PART NUMBER	
				REVISED				1		CAGE	
				DATE				1		DMC PART NUMBER	
				REVISED				1		CAGE	
				DATE				1		DMC PART NUMBER	
				REVISED				1		CAGE	
				DATE				1		DMC PART NUMBER	
				REVISED				1		CAGE	
				DATE				1		DMC PART NUMBER	
				REVISED				1		CAGE	
				DATE				1		DMC PART NUMBER	
				REVISED				1		CAGE	
				DATE				1		DMC PART NUMBER	
				REVISED				1		CAGE	
				DATE				1		DMC PART NUMBER	
				REVISED				1		CAGE	
				DATE				1		DMC PART NUMBER	
				REVISED				1		CAGE	
				DATE				1		DMC PART NUMBER	
				REVISED				1		CAGE	
				DATE				1		DMC PART NUMBER	
				REVISED				1		CAGE	
				DATE				1		DMC PART NUMBER	
				REVISED				1		CAGE	
				DATE				1		DMC PART NUMBER	
				REVISED				1		CAGE	
				DATE				1		DMC PART NUMBER	
				REVISED				1		CAGE	
				DATE				1		DMC PART NUMBER	
				REVISED				1		CAGE	
				DATE				1		DMC PART NUMBER	
				REVISED				1		CAGE	
				DATE				1		DMC PART NUMBER	
				REVISED				1		CAGE	
				DATE				1		DMC PART NUMBER	
				REVISED				1		CAGE	
				DATE				1		DMC PART NUMBER	
				REVISED				1		CAGE	
				DATE				1		DMC PART NUMBER	
				REVISED				1		CAGE	
				DATE				1		DMC PART NUMBER	
				REVISED							