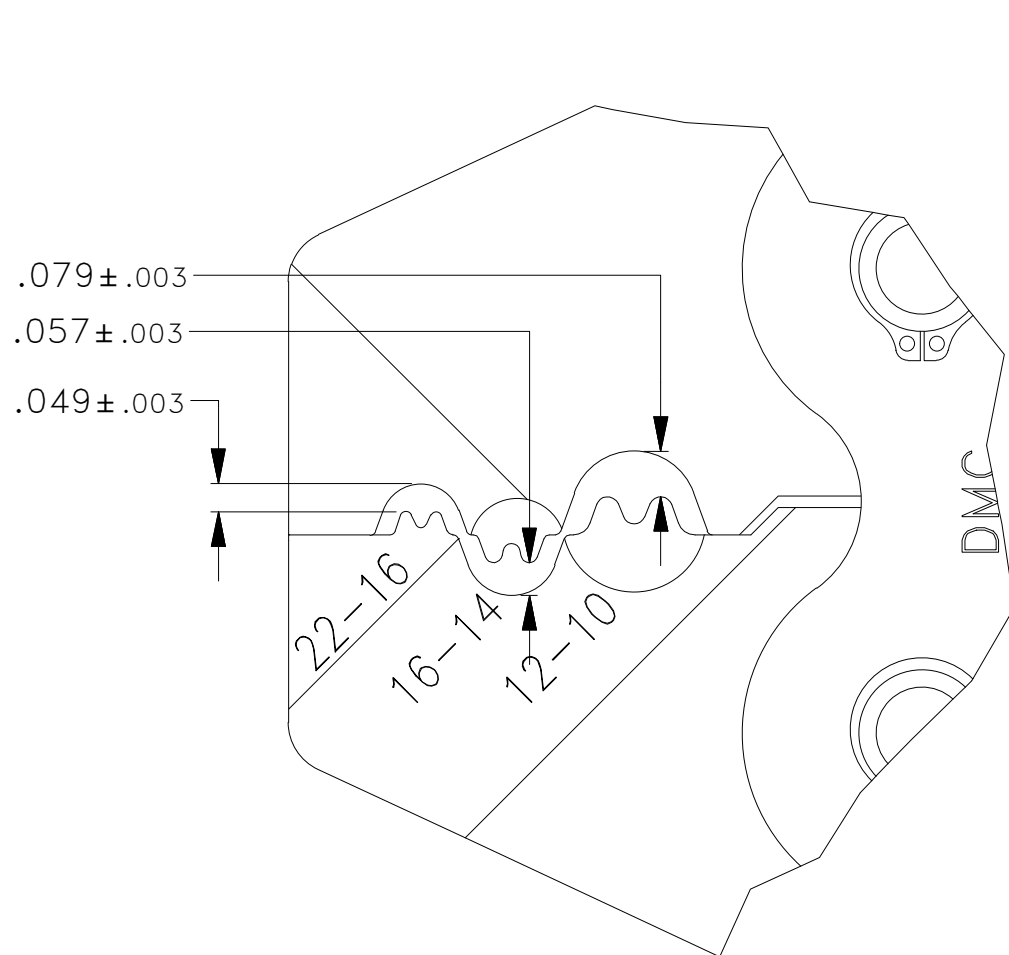
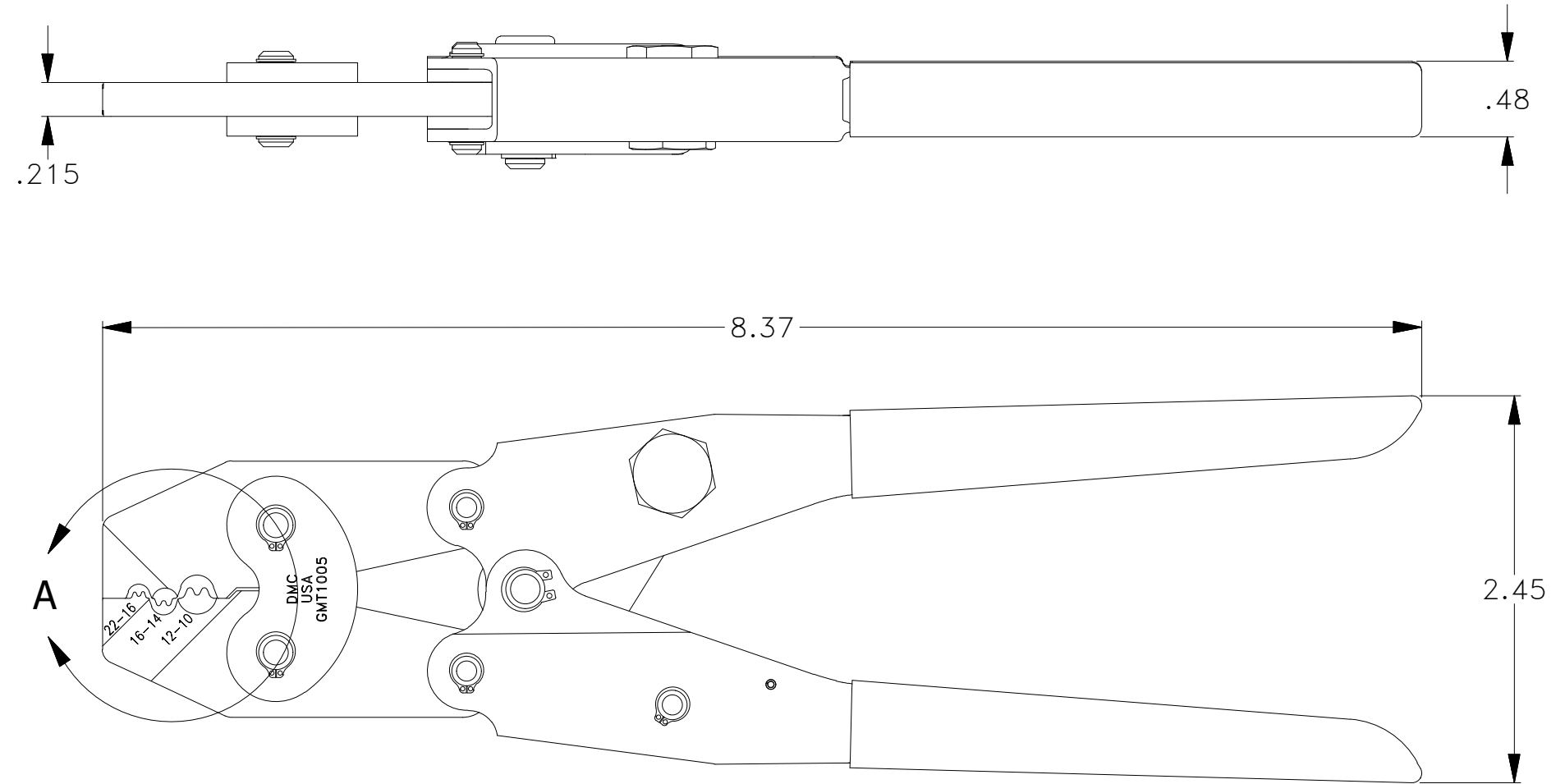


THIS DOCUMENT IS FOR REFERENCE ONLY. USERS MUST ASSURE THEY ARE USING THE CORRECT REVISION.

REVISIONS				
REV SYM	ECO NUMBER	DESCRIPTION	BY DATE	APP'D DATE
1		ORIGINAL RELEASE	K. KOONS 4.6.11	



DETAIL A
GAGING DIMENSIONS



GAGING DIMENSIONS			
CAVITY	GO DIM	NO-GO DIM	GAGE
22-16	.046	.052	G739
16-14	.054	.060	G740
12-10	.076	.082	G741

UNCONTROLLED DOCUMENT
WILL NOT BE UPDATED

1. FUNCTIONAL EQUIVALENT TO AMP TYCO TOOL 49935.

NOTES:

<p>RESTRICTED & CONFIDENTIAL</p> <p>CONFIDENTIAL PROPERTY OF DANIELS MANUFACTURING CORP. NOT TO BE DISCLOSED TO OTHERS, REPRODUCED OR USED FOR ANY OTHER PURPOSE EXCEPT AS AUTHORIZED IN WRITING BY DANIELS MANUFACTURING. MUST BE RETURNED TO DANIELS MANUFACTURING CORP. ON COMPLETION OF ORDER OR OTHER PURPOSE FOR WHICH LENT.</p> <p>CREATED FROM AN INVENTOR MODEL. CHANGES MUST BE REFLECTED IN THE 3D PART</p> <p>DO NOT SCALE DRAWING</p>	MATERIAL	ITEM	PART NO.	QTY.	DESCRIPTION/REMARKS												
	HEAT TREAT	DRN. Kirk C Koons	DATE 4.6.11		DANIELS MANUFACTURING CORP. ORLANDO, FLORIDA CAGE 11851												
	FINISH	CHK'D.	DATE														
		APP'D.	DATE			<p>TITLE</p> <p>CRIMP TOOL ENVELOPE DRAWING</p> <p>WHERE USED:</p> <table border="1"> <tr> <td>SIZE</td> <td>SCALE</td> <td>CAD P/N</td> <td>SHEET OF</td> </tr> <tr> <td>B</td> <td>NTS</td> <td>GMT1005-ENV</td> <td>1 1</td> </tr> </table> <p>POSTING</p> <table border="1"> <tr> <td>DWG. NO.</td> <td>REV.</td> </tr> <tr> <td>GMT1005-ENV</td> <td>1</td> </tr> </table>	SIZE	SCALE	CAD P/N	SHEET OF	B	NTS	GMT1005-ENV	1 1	DWG. NO.	REV.	GMT1005-ENV
SIZE	SCALE	CAD P/N	SHEET OF														
B	NTS	GMT1005-ENV	1 1														
DWG. NO.	REV.																
GMT1005-ENV	1																
NOTE:		THIS DRAWING IS AN OUTLINE DRAWING OF THE RESPECTIVE DMC PART NUMBER INDICATED. ACTUAL DMC PART NUMBER IS DRAWING NUMBER WITHOUT THE "-ENV" SUFFIX															