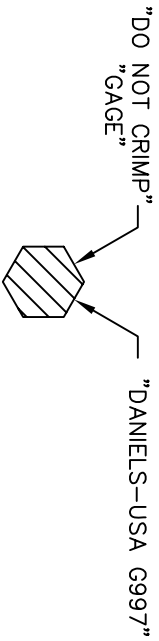
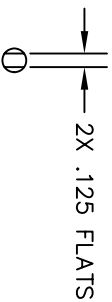
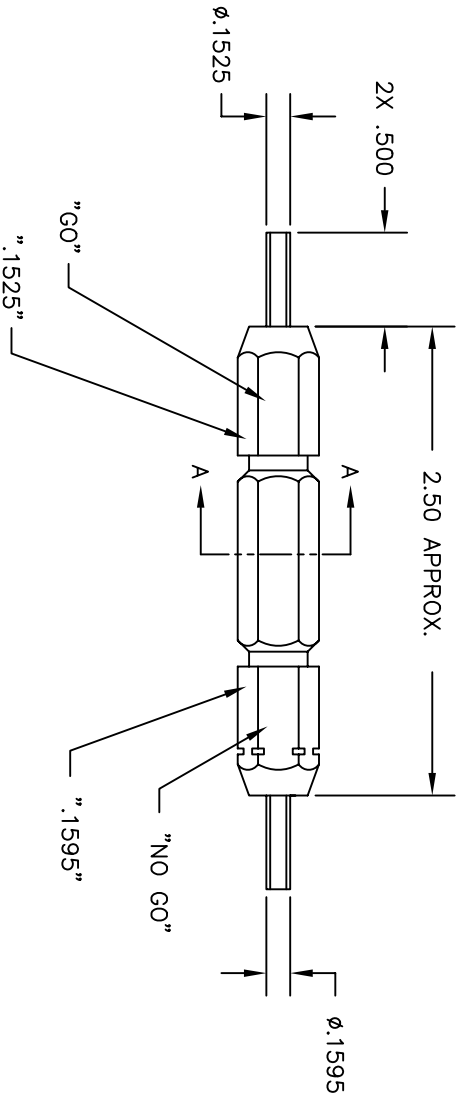


REVISIONS				
REV. SYM.	E.C.O. NUMBER	DESCRIPTION	BY DATE	APP'D DATE
1		ORIGINAL RELEASE	JMD 8/21/06	RRR 8/21/06



SECTION A-A



**UNCONTROLLED DOCUMENT
WILL NOT BE UPDATED**

RESTRICTED & CONFIDENTIAL CONFIDENTIAL PROPERTY OF DANIELS MANUFACTURING CORP. NOT TO BE DISCLOSED TO OTHERS, REPRODUCED OR USED FOR ANY OTHER PURPOSE, EXCEPT AS AUTHORIZED IN WRITING BY DANIELS MANUFACTURING CORP. ON COMPLETION OF ORDER OR OTHER PURPOSE FOR WHICH LENT.		MATERIAL	ITEM	PART NO.	QTY.	DESCRIPTION/REMARKS
HEAT TREAT		FINISH	DRG. J. JOYCE	DATE 8/21/06		DANIELS MANUFACTURING CORP. ORLANDO, FLORIDA CAGE 11891
NOTE: THIS DRAWING IS AN OUTLINE DRAWING OF THE RESPECTIVE INDICATED ACTUAL DIMS PART NUMBER WITHOUT THE "-ENV" SUFFIX.			CHG'D. RRR	DATE 8/21/06		
DO NOT SCALE DRAWING			APP'D.	DATE		GO/NO-GO GAGE ENVELOPE DRAWING
WHERE USED: Y187						CAD P/N G997-ENV
SCALE B NTS						SHEET 1 OF 1
POSTING						DWG. NO. G997-ENV
						REV. 1