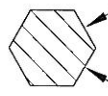
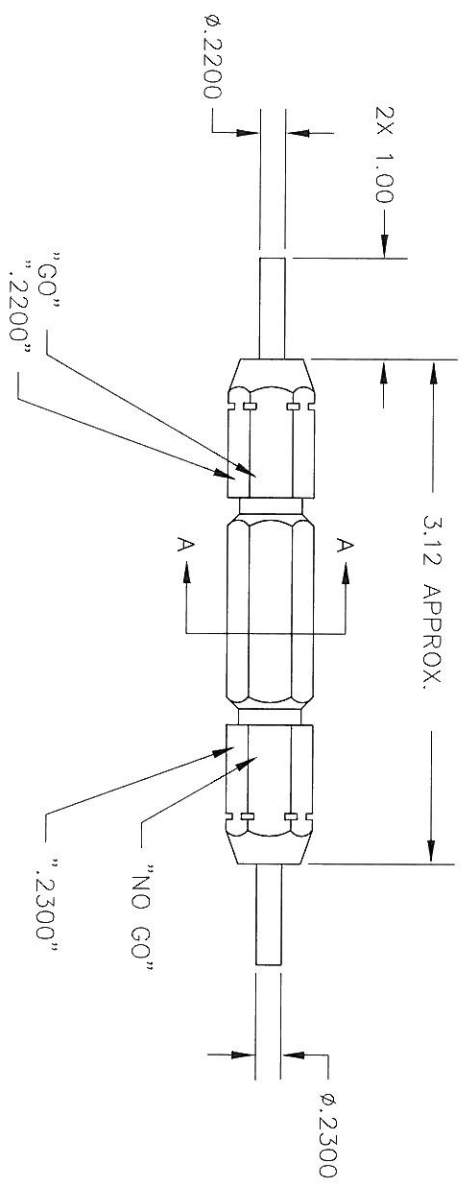


"DO NOT CRIMP"
"GAGE"
"DANIELS-USA G996"



SECTION A-A



| REVISIONS | | DESCRIPTION | BY | APP'D |
|-----------|------|------------------|--------|-------|
| REV. | STM. | NUMBER | DATE | DATE |
| 1 | | ORIGINAL RELEASE | 7-5-11 | |

| | | | | | | |
|---|--|--|-----------------------|-----------------------------------|----------|---|
| RESTRICTED & CONFIDENTIAL CONFIDENTIAL PROPERTY OF DANIELS MANUFACTURING CORP. NOT TO BE DISCLOSED TO OTHERS. REPRODUCED OR USED FOR ANY OTHER PURPOSE, EXCEPT AS AUTHORIZED IN WRITING, BY DANIELS MANUFACTURING. MUST BE RETURNED TO DANIELS MANUFACTURING CORP. ON COMPLETION OF ORDER OR OTHER PURPOSE FOR WHICH SENT. | | MATERIAL | ITEM | PART NO. | QTY. | DESCRIPTION/REMARKS |
| DO NOT SCALE DRAWING | | FINISH | DRN <i>Jenny</i> | <i>0106-010</i> | | DANIELS MANUFACTURING CORP. ORLANDO, FLORIDA FSCM 11851 |
| | | HEAT TREAT | CHK'D <i>Jenny</i> | DATE 7-5-11 | | |
| | | | APP'D | DATE | | |
| | | | APP'D | DATE | | |
| | | TOLERANCE: | | WHERE USED: | | |
| | | UNLESS OTHERWISE SPECIFIED FRACTIONS 1/32 ANGLES 1/2° | | GO/NO-GO GAGE ENVELOPE DRAWING | | |
| | | X ± .020 .010 XXX ± .005 .0005 SHARP EDGES .006-.015 | | SCALE | CAD P/N | SHEET OF |
| | | | | B NTS | G996-ENV | 1 1 |
| | | | | POSTING | DWG. NO. | REV. |
| | | | | | G996-ENV | 1 |

UNCONTROLLED DOCUMENT
WILL NOT BE UPDATED
DIMENSIONS IN INCHES - UNLESS OTHERWISE SPECIFIED