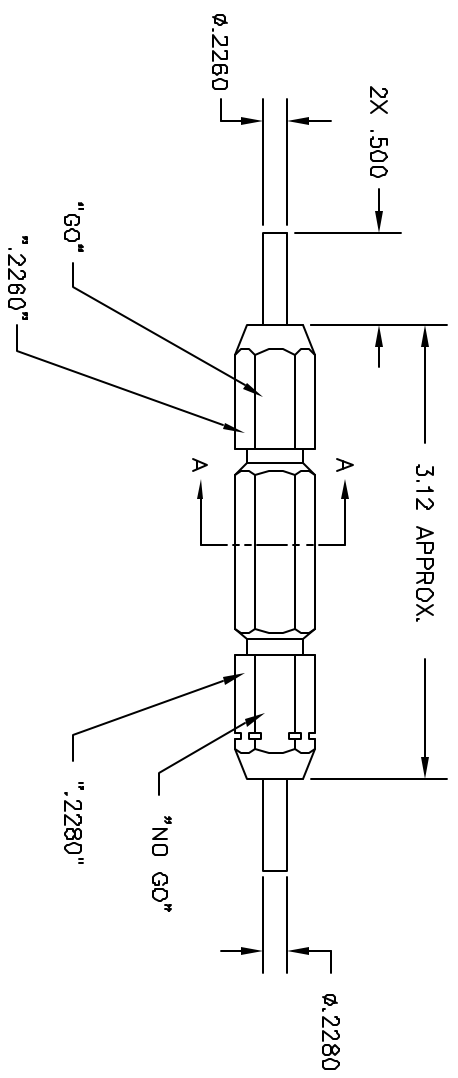


"DO NOT CRIMP"
"GAGE"
"DANIELS-USA G958"



SECTION A-A



**UNCONTROLLED DOCUMENT
WILL NOT BE UPDATED**

REV.	REV. DATE	EQ'D. NUMBER	DESCRIPTION	BY DATE	APP'D DATE
1			ORIGINAL RELEASE	11/12/02	11/12/02

RESTRICTED & CONFIDENTIAL		MATERIAL		ITEM		PART NO.		QTY.		DESCRIPTION/REMARKS	
<p>CONFIDENTIAL PROPERTY OF DANIELS MANUFACTURING CORP. NOT TO BE REPRODUCED OR TRANSMITTED IN ANY FORM OR BY ANY MEANS, ELECTRONIC OR MECHANICAL, INCLUDING PHOTOCOPYING, RECORDING, OR BY ANY INFORMATION STORAGE AND RETRIEVAL SYSTEM, WITHOUT PERMISSION IN WRITING BY DANIELS MANUFACTURING CORP.</p> <p>MUST BE RETURNED TO DANIELS MANUFACTURING CORP. WITH ORDER OR OTHER PROOF FOR WHICH SENT.</p>		HEAT TREAT		DRN. J. JOYCE GATE RRR APP'D. DATE DATE		DATE 11/12/02 DATE 11/12/02		DANIELS MANUFACTURING CORP. ORLANDO, FLORIDA GAGE 11851		G0/NO-G0 GAGE ENVELOPE DRAWING	
DO NOT SCALE DRAWING		FINISH		WEIGHT US200		SIZE SCALE		CAD P/N		SHEET OF	
				PASTING		B NTS		G958-ENV		1 1	
								G958-ENV		1 1	