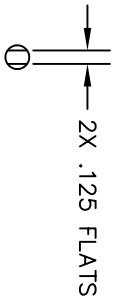
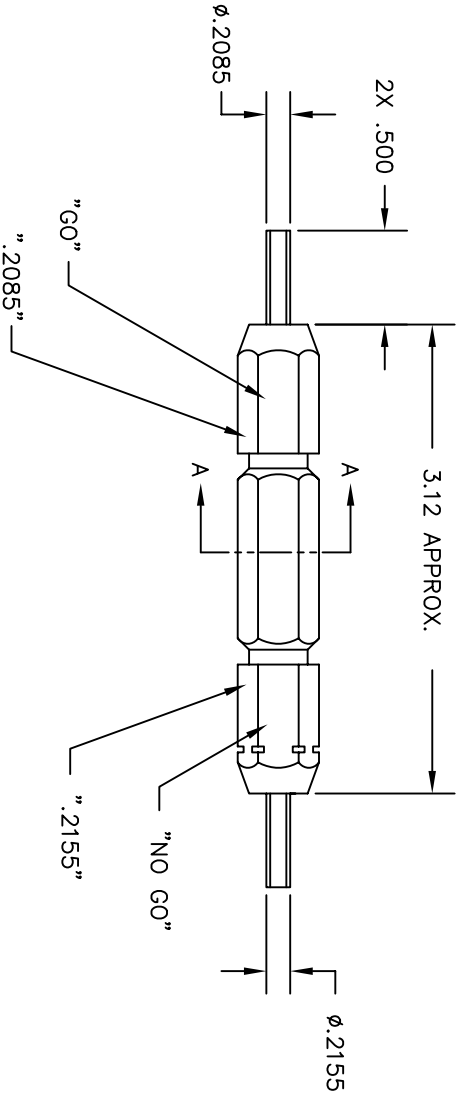


REVISIONS				
REV. SYM.	E.C.O. NUMBER	DESCRIPTION	BY DATE	APP'D DATE
2		CORRECTED MARKINGS	JMD 10/20/03	RRR 10/20/03

"DO NOT CRIMP"  
"GAGE"  
"DANIELS-USA G946"

SECTION A-A



**UNCONTROLLED DOCUMENT  
WILL NOT BE UPDATED**

RESTRICTED & CONFIDENTIAL		MATERIAL		ITEM		PART NO.		QTY.		DESCRIPTION/REMARKS	
CONFIDENTIAL PROPERTY OF DANIELS MANUFACTURING CORP. NOT TO BE DISCLOSED TO OTHERS, REPRODUCED OR USED FOR ANY OTHER PURPOSE, EXCEPT AS AUTHORIZED IN WRITING BY DANIELS MANUFACTURING CORP. ON COMPLETION OF ORDER OR OTHER PURPOSE FOR WHICH LENT.		HEAT TREAT		DRN.	J. JOYCE	DATE	3/17/03			<b>DMC</b> DANIELS MANUFACTURING CORP. ORLANDO, FLORIDA CASE 11851	
		FINISH		CHK'D.	RRR	DATE	3/17/03				
DO NOT SCALE DRAWING		NOTE:		APP'D.		DATE		WHERE USED:	CAD P/N/	SHEET	OF
		THIS DRAWING IS AN OUTLINE DRAWING OF THE RESPECTIVE DIMC PART NUMBER INDICATED. THE ACTUAL DIMC PART NUMBER WITHOUT THE "-ENV" SUFFIX.		APP'D.		DATE		SIZE	G946-ENV	1	1
				TITLE		GO/NO-GO GAGE ENVELOPE DRAWING		SCALE	DMC. NO.	REV.	
								POSTING	G946-ENV	2	