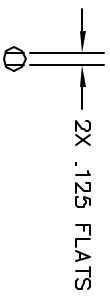
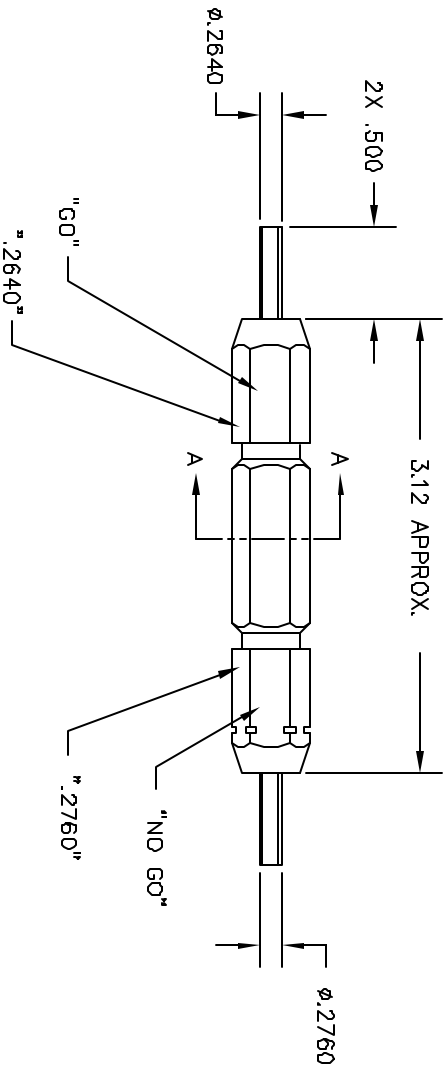


REVISIONS				
REV.	EQ. & NUMBER	DESCRIPTION	BY DATE	APP'D DATE
1		ORIGINAL RELEASE	1/29/06	1/29/06

"DO NOT CRIMP"  
"GAGE"  
"DANIELS-USA G930"



SECTION A-A



**UNCONTROLLED DOCUMENT  
WILL NOT BE UPDATED**

<b>RESTRICTED &amp; CONFIDENTIAL</b> CONFIDENTIAL PROPERTY OF DANIELS MANUFACTURING CORP. NOT TO BE REPRODUCED OR USED FOR ANY OTHER PURPOSE EXCEPT AS AUTHORIZED IN WRITING BY DANIELS MANUFACTURING. MUST BE RETURNED TO DANIELS MANUFACTURING OR OTHER PURCHASER OF ORDER WHICH LENT.		MATERIAL		ITEM	PART NO.	QTY.	DESCRIPTION/REMARKS
		HEAT TREAT		DN J. JOYCE	DATE 1/29/06		
FINISH		APPRO	DATE	APPRO	DATE	TITLE	
						GO/NO-GO GAGE ENVELOPE DRAWING	
DO NOT SCALE DRAWING		NOTE: THIS DRAWING IS AN OUTLINE DRAWING OF THE RESPECTIVE DIM. PART NUMBER INDICATED. ACTUAL DIMENSIONS SHALL BE DETERMINED BY THE "GO" SAFETY.		WIPER USE:	SCALE	CAD P/N	SHEET 1 OF 1
				SIZE	NTS	G930-ENV	REV 1
				FINISH		DWG. NO. G930-ENV	