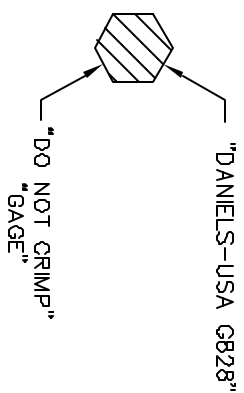
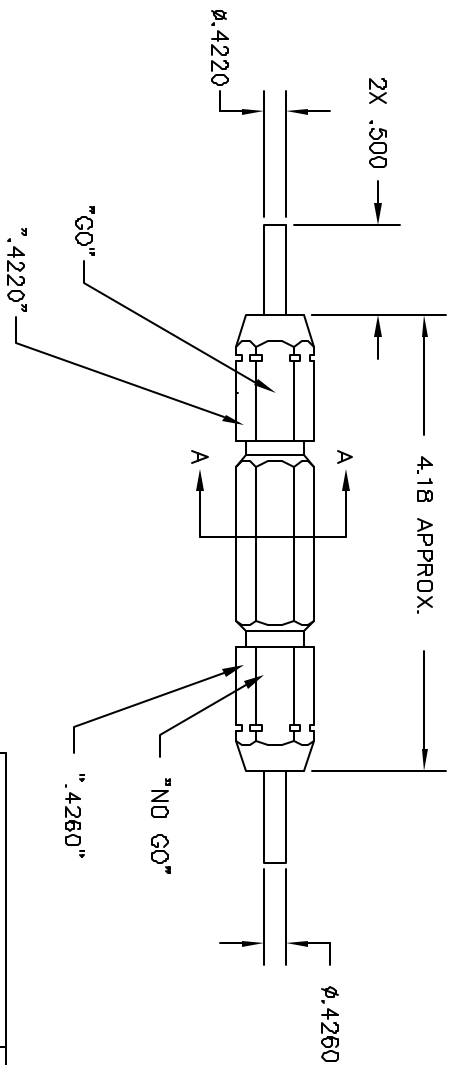


REVISIONS				
REV. NO.	DATE	DESCRIPTION	BY	APP'D
2	10/27/01	4.4220 WAS 4.4220 4.4220 WAS 4.4220	10/27/01	10/27/01



SECTION A-A



RESTRICTED & CONFIDENTIAL		MATERIAL		ITEM		PART NO.		QTY.		DESCRIPTION/REMARKS	
MANUFACTURING CORP. NOT TO BE DISCLOSED TO OTHERS. REPRODUCED OR USED FOR ANY OTHER PURPOSE WITHOUT THE WRITTEN PERMISSION OF DANIELS MANUFACTURING CORP. ON COMPLETION OF ORDER OR OTHER PURCHASE FOR WHICH INTL.		HEAT TREAT		DRN J. JOYCE DATE 10/27/01 CHK'D DE DATE 10/27/01 APP'D DATE		THIS DRAWING IS AN OUTLINE DRAWING OF THE RESPECTIVE DIM PART NUMBER. ACTUAL DIM PART NUMBER IS DRAWING THE "ENV" SUFFIX.		DMC DANIELS MANUFACTURING CORP. ORLANDO, FLORIDA CASE 11851		G0/NO-GO GAGE ENVELOPE DRAWING	
DO NOT SCALE DRAWING		FINISH		WHERE USED SIZE SCALE B NTS POSTING		DIM PLAN G828-ENV DIV. NO. G828-ENV		SHEET 1 OF 1 REV 1		SHEET 1 OF 1 REV 2	