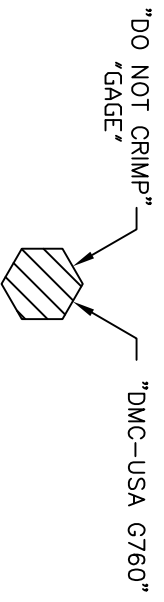
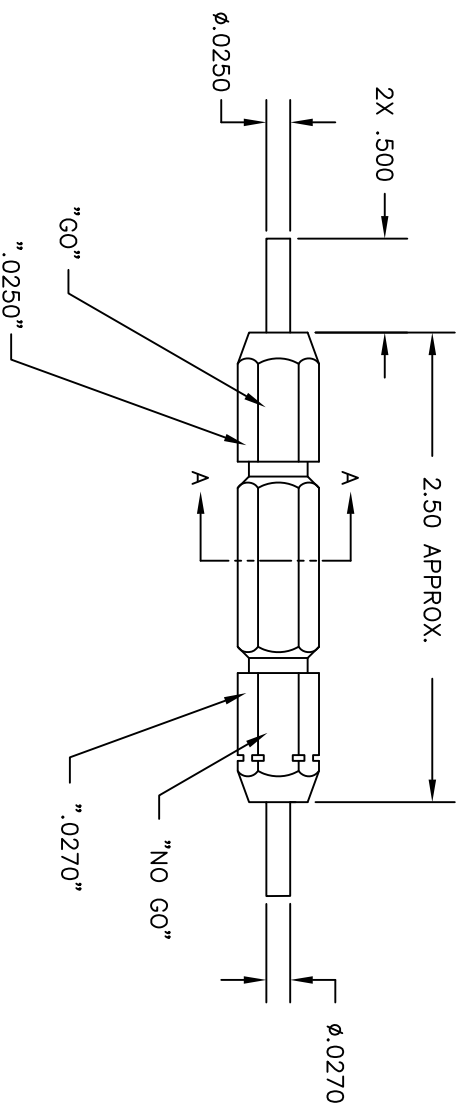


REVISIONS				
REV. SYML	E.C.O. NUMBER	DESCRIPTION	BY DATE	APP'D. DATE
1		ORIGINAL RELEASE	JMJ 5-22-07	RRR 5-22-07



SECTION A-A



**UNCONTROLLED DOCUMENT
WILL NOT BE UPDATED**

RESTRICTED & CONFIDENTIAL CONFIDENTIAL PROPERTY OF DANIELS MANUFACTURING CORP. NOT TO BE DISCLOSED TO OTHERS, REPRODUCED OR USED FOR ANY OTHER PURPOSE, EXCEPT AS AUTHORIZED IN WRITING BY DANIELS MANUFACTURING CORP. ON COMPLETION OF ORDER OR OTHER PURPOSE FOR WHICH LENT.		MATERIAL		ITEM		PART NO.		DESCRIPTION/REMARKS	
		HEAT TREAT		DRN. J. JOYCE 5/22/07		DATE 5/22/07		DMC DANIELS MANUFACTURING CORP. ORLANDO, FLORIDA CAGE 11851	
FINISH		APP'D. DATE		APP'D. DATE		TITLE		WHERE USED: AFMSP-50	
DO NOT SCALE DRAWING		NOTE: THIS DRAWING IS AN OUTLINE DRAWING OF THE RESPECTIVE DMC PART NUMBER INDICATED. ACTUAL DMC PART NUMBER WITHOUT THE "-ENV" SUFFIX.		SIZE B SCALE NTS POSTING		GO/NO-GO GAGE ENVELOPE DRAWING		CAD P/N G760-ENV DMC. NO. G760-ENV	
								SHEET 1 OF 1 REV. 1	