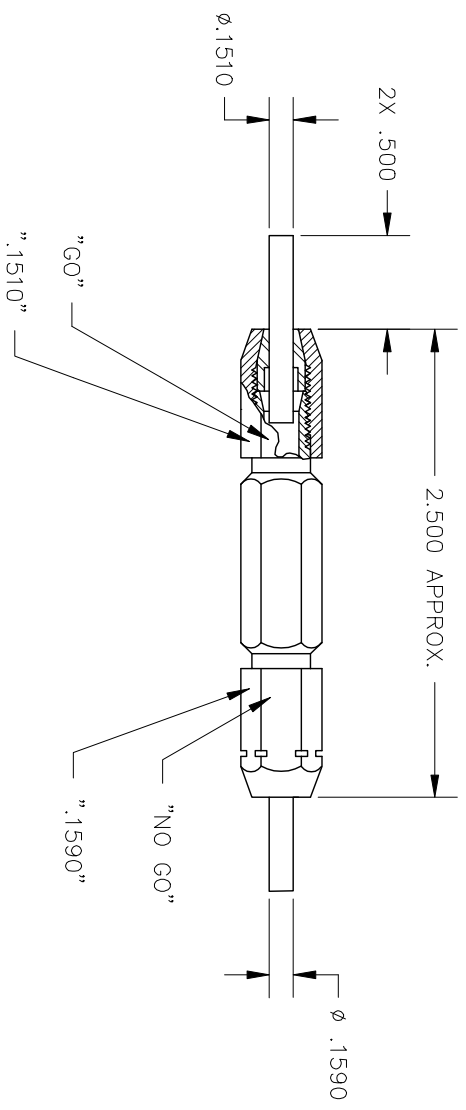
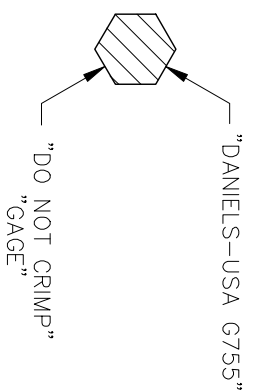


REVISIONS				
REV. S/N	E.C.O. NUMBER	DESCRIPTION	BY DATE	APP'D DATE
1		ORIGINAL RELEASE	K. KOONS 4.2.10	



**UNCONTROLLED DOCUMENT
WILL NOT BE UPDATED**

NOTES:

RESTRICTED & CONFIDENTIAL		MATERIAL		ITEM		PART NO.		QTY.		DESCRIPTION/REMARKS	
CONFIDENTIAL PROPERTY OF DANIELS MANUFACTURING CORP. NOT TO BE DISCLOSED FOR ANY USE, REPRODUCED OR TRANSMITTED IN ANY FORM OR BY ANY MEANS, WITHOUT THE WRITTEN PERMISSION OF DANIELS MANUFACTURING CORP. ON COMPLETION OF ORDER OR OTHER PURPOSE FOR WHICH INT.		HEAT TREAT		DWN. KIRK C KOONS		DATE 4.2.10		TITLE		DANIELS MANUFACTURING CORP. ORLANDO, FLORIDA GAGE 11851	
FINISH		APP'D.		CHK'D.		DATE		WHERE USED:		CAD P/N	
DO NOT SCALE DRAWING		DATE		DATE		DATE		SIZE		SHEET OF	
		DATE		DATE		DATE		SCALE		1	
		DATE		DATE		DATE		POSTING		1	
		DATE		DATE		DATE		DWG. NO.		REV.	
		DATE		DATE		DATE		G755-ENV		1	
		DATE		DATE		DATE		G755-ENV		1	

NOTE:
THIS DRAWING IS AN OUTLINE DRAWING OF THE RESPECTIVE INDICATED ACTUAL DIM PART NUMBER WHICH THE "-ENV" SUFFIX