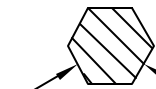
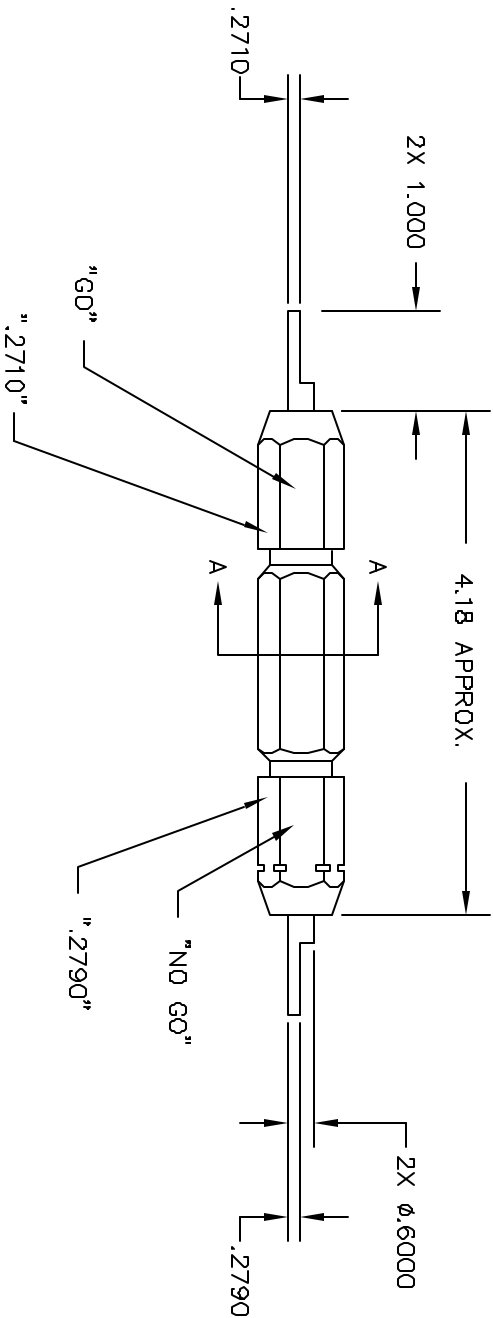


REVISIONS				
REV. SYM.	E.C.O. NUMBER	DESCRIPTION	BY DATE	APP'D DATE
1		ORIGINAL RELEASE	MMI 1/17/03	RRB 1/17/03



"DANIELS-USA G749"
 "DO NOT CRIMP"
 "GAGE"

SECTION A-A



**UNCONTROLLED DOCUMENT
 WILL NOT BE UPDATED**

RESTRICTED & CONFIDENTIAL		MATERIAL		ITEM		PART NO.		QTY.		DESCRIPTION/REMARKS	
CONFIDENTIAL PROPERTY OF DANIELS MANUFACTURING CORP. NOT TO BE DISCLOSED OR OTHERWISE REPRODUCED WITHOUT THE WRITTEN PERMISSION OF DANIELS MANUFACTURING CORP. ALL RIGHTS RESERVED. MUST BE RETURNED TO DANIELS MANUFACTURING CORP. ON COMPLETION OF ORDER OR OTHER PURPOSE FOR WHICH SENT.		HEAT TREAT		DWN. J. JOYCE 1/17/03		DATE 1/17/03		TITLE GO/NO-GO GAGE ENVELOPE DRAWING		DANIELS MANUFACTURING CORP. ORLANDO, FLORIDA F50M 71857	
DO NOT SCALE DRAWING		FINISH		CHKD. RRR 1/17/03		DATE		WHERE USED:		CAD FILE NO. G749-ENV	
				APPRD.		DATE		SIZE B		SHEET 1 OF 1	
								POSTING		REV. 1	
								P/N G749-ENV			